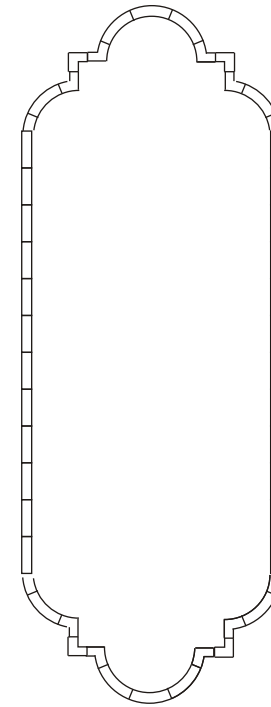
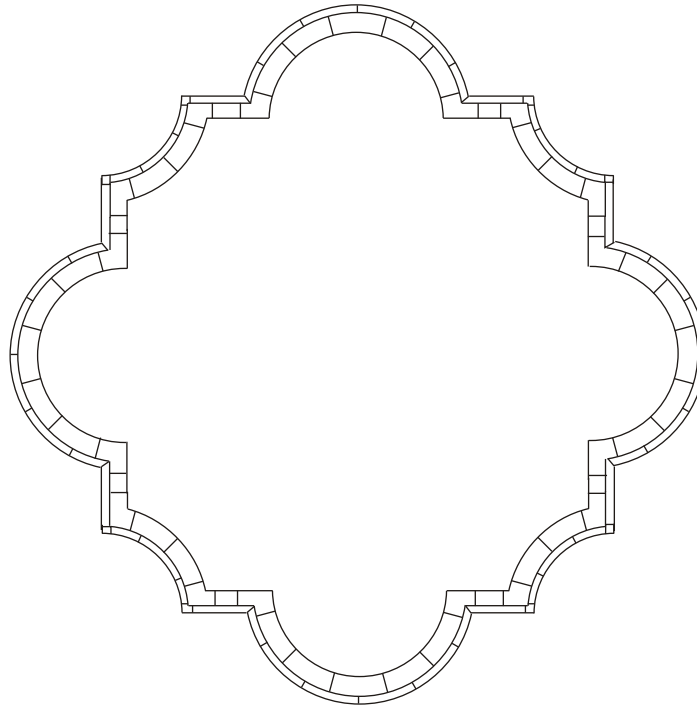
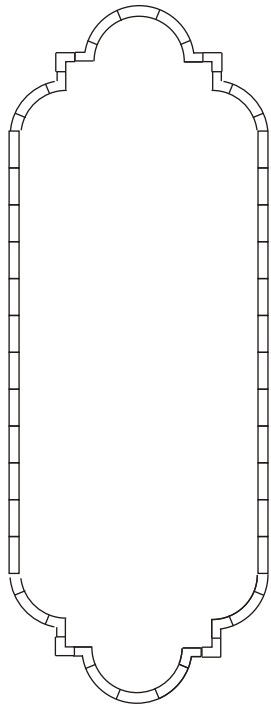


# CRANBORNE STONE

ARCHITECTURAL & GARDEN ORNAMENT



## POOL SURROUNDS & BED EDGING

# Bed Edges & Pool Surrounds: Introduction

---

- **Material**

All Pool Surrounds are hand cast in reconstituted stone using the dry-cast method which results in a finish that will age naturally and is almost indistinguishable from real stone.

Casts are guaranteed against frost damage for 20 years, and are expected to last for more than a life-time.

- **Colour**

All Pool Surrounds are available in five standard finishes: Portland White, Cotswold, York, Devon Red, and Bath Yellow (see our colour catalogue for examples).

Other colours are available by agreement. We can closely match most existing natural stone types.

- **Quotations**

Please ask for a quotation - we can almost always return a firm quotation the same day, indicating price, delivery costs, and availability.

- **Assembly**

Please ask for assembly instructions and footing measurements for the Riding Court Pool Surround C040.

Colour matched grouting of the same colour is available free of charge if requested.

- **Bespoke Work**

Cranborne Stone has much experience of realising bespoke designs quickly and economically - Please ask for a quotation.

Cranborne Stone is a part of Cranborne Stone Limited, incorporated in England (No 6786891)

# Bed Edges & Pool Surrounds: Overview.

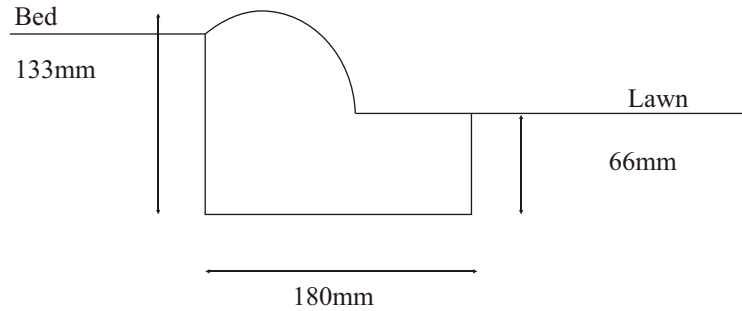
Cross section. Scale 1:25

Code	C030		C030U	C060	C040	C040U	C080
<i>Name</i>	Bed Edge	Classical pool surround	Classical pool surround on undercoping	Shaftesbury pool surround	Riding Court pool surround	Riding Court pool surround on undercoping	Bull nosed pool surround
<i>Height (overall)</i>	133mm	250mm	396mm	295mm	378mm	448mm	60mm
<i>Width (maximum)</i>	180mm	165mm	244mm	296mm	360mm	409mm	400mm
<i>Diameter (outer) of curved sections</i>	3,400mm	1,700mm 1,854mm 2,442mm 3,400mm 5,740mm	1,858mm 2,012mm 2,600mm 3,558mm 5,898mm	2,380mm	3,000mm 6,660mm	6,760mm	3,800mm
<i>Approximate price(a) per metre</i>	£34.32	£86.43	£147.96	£146.68	£144.72	£181.44	£61.56
<i>Details</i>	page 3.3	page 3.4	page 3.4	page 3.6	page 3.7	page 3.7	page 3.9

Notes: (a) Excluding VAT & delivery. Valid to 01/01/10

# Bed Edge C020.

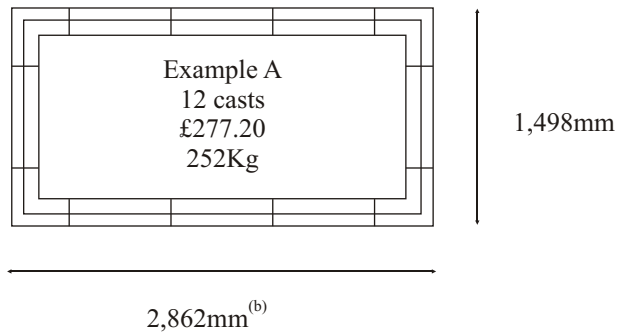
Cross section. Scale 1:5



Details

Section	Code	Length (outer)	Weight	Price (per cast <sup>(a)</sup> )	Outer radius	Degree of curviture
Straight	C021	676mm	22Kg	£23.10		
Corner	C022	405mm	19Kg	£23.10		
Curve	C023	873mm	28Kg	£33.00	1,700mm	30

Example configuration. Scale 1:50



Comments

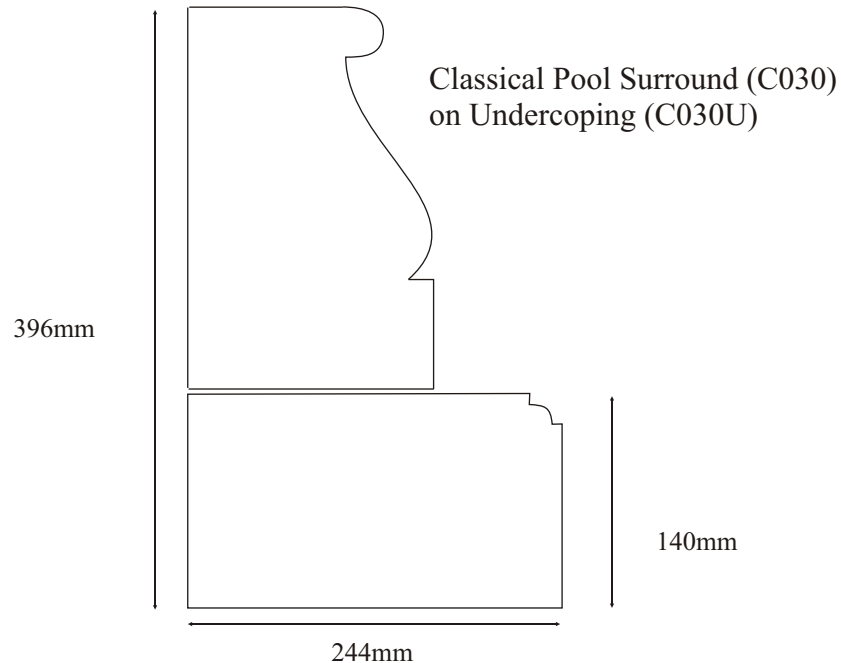
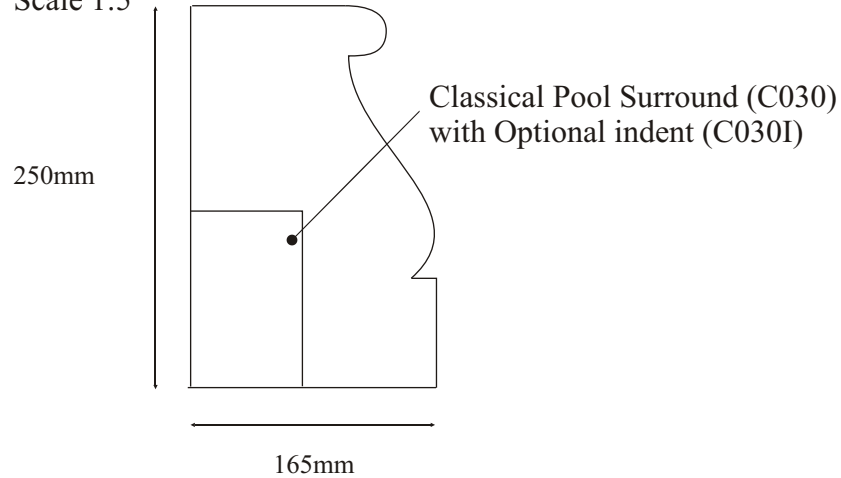
Simplifies maintenance of grass edges  
 Raises beds  
 Other curved sections are available on request

Notes: (a) Excluding VAT & delivery. Valid to 01/01/10

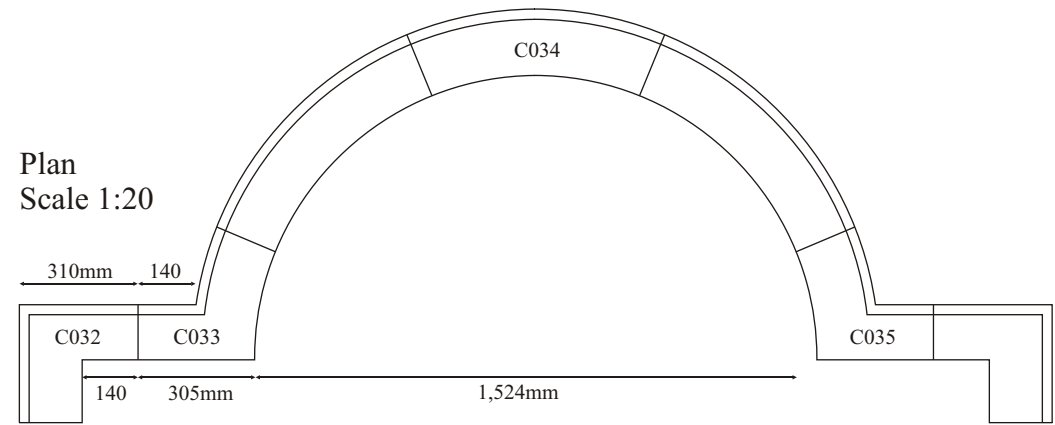
(b) Measurements exclude grouting. Allow 6mm per joint.

# Classical Pool Surround C030.

Cross sections  
Scale 1:5



Plan  
Scale 1:20



Section	Code	Length	Radius (outer)	Degree of curvature	Weight	Price per cast
Straight	C031	635mm	-	-	32Kg	£54.89
Corner (external)	C032	310mm	-	-	32Kg	£54.89
Corner (internal)	C032B	305mm	-	-	32Kg	£54.89
Curve corner (LH)	C033	305mm	927mm	22.5°	32Kg	£54.89
Curve corner (RH)	C035	305mm	927mm	22.5°	32Kg	£54.89
Curve corner (Concave) LH	C039L	342mm	1,540mm	-	32Kg	£54.89
Curve corner (Concave) RH	C039R	342mm	1,540mm	-	32Kg	£54.89
Curve	C039A	-	670mm	45°	32Kg	£54.89
Curve	C034A	-	850mm	45°	32Kg	£54.89
Curve	C034	-	927mm	45°	32Kg	£54.89
Curve	C034B	-	1,700mm	30°	32Kg	£54.89
Curve	C036	-	2,870mm	15°	32Kg	£54.89
Curve	C037	-	1,221mm	30°	32Kg	£54.89
Concave curve	C038	-	2,400mm	15°	32Kg	£54.89
Concave CC (L/R)	C038L/R	-	2,400mm	7.5°	32Kg	£54.89
Concave curve	C039	-	1,540mm	25.7°	32Kg	£54.89
135 degree corner int.	C039I	310mm	-	-	32Kg	£54.89
135 degree corner ext.	C039E	310mm	-	-	32Kg	£54.89
Undercoping						
Straight	C031U	635mm	-	-	39Kg	£39.20
Corner	C032U	384mm	-	-	36Kg	£39.20
Curve	C034U	-	1,006mm	45°	43Kg	£39.20
Curve	C035U	-	1,556mm	30°	46Kg	£39.20
Curve	C036U	-	2,949mm	15°	45Kg	£39.20
Curve	C037U	-	1,300mm	30°	38Kg	£39.20

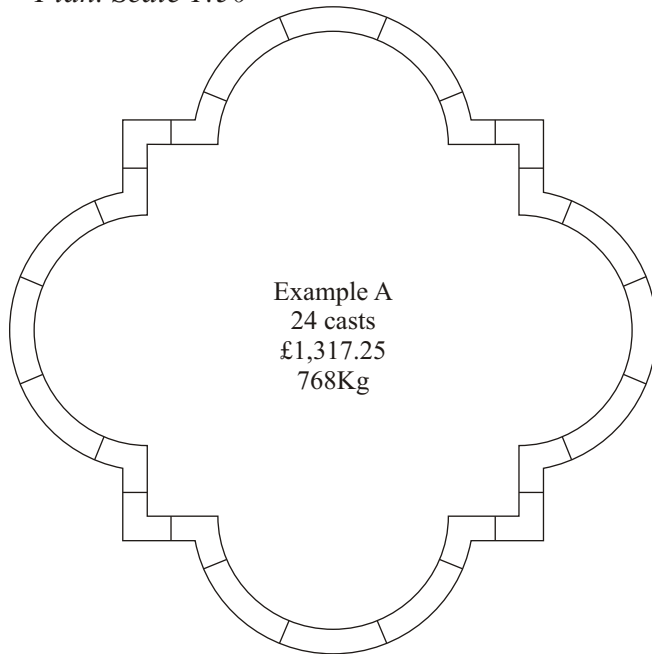
*Comments*

See page 3.5 for example configurations. Suitable for raised beds or pools  
Optional indent (C030I) allows a liner to be inserted behind bricks and waterproof render

# Classical Pool Surround C030: Example configurations.

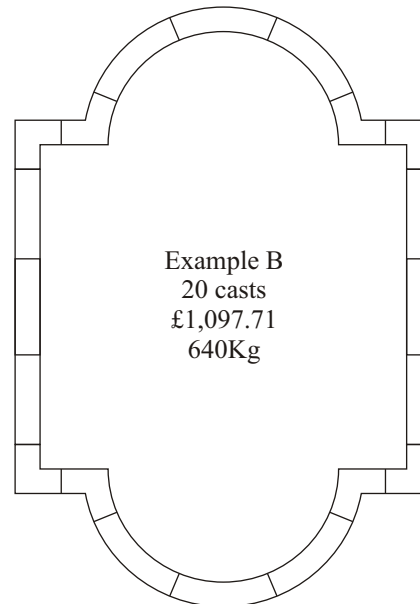
Plan. Scale 1:50

Notes: All prices exclude VAT & delivery. Valid to 01/01/10.  
All measurements exclude grouting. Allow 6mm per joint.



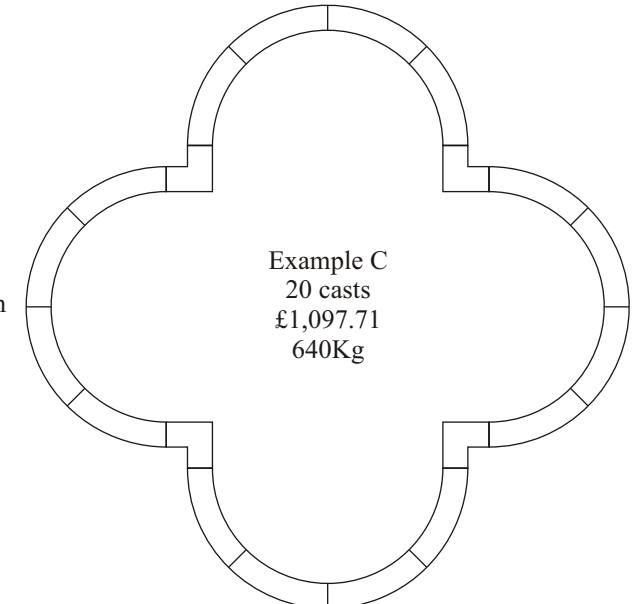
Example A  
24 casts  
£1,317.25  
768Kg

4,278mm



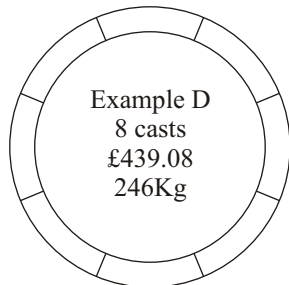
Example B  
20 casts  
£1,097.71  
640Kg

2,754mm



Example C  
20 casts  
£1,097.71  
640Kg

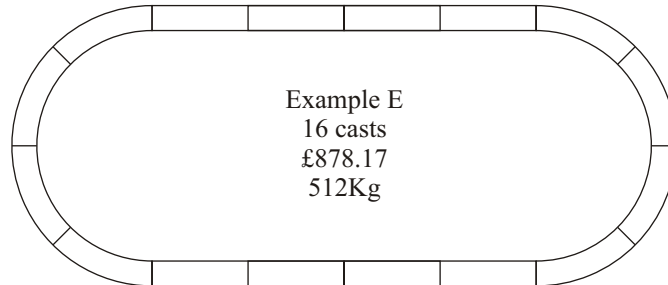
3,988mm



Example D  
8 casts  
£439.08  
246Kg

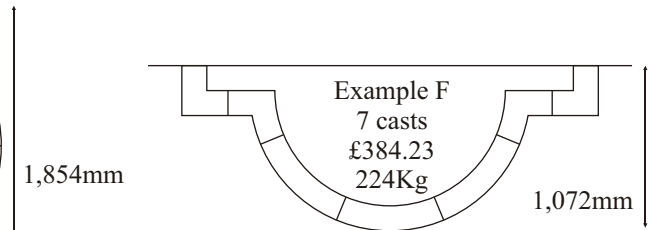
1,854mm

Also circles of 2,442mm & 5,740mm diameter



Example E  
16 casts  
£878.17  
512Kg

4,394mm



Example F  
7 casts  
£384.23  
224Kg

2,754mm

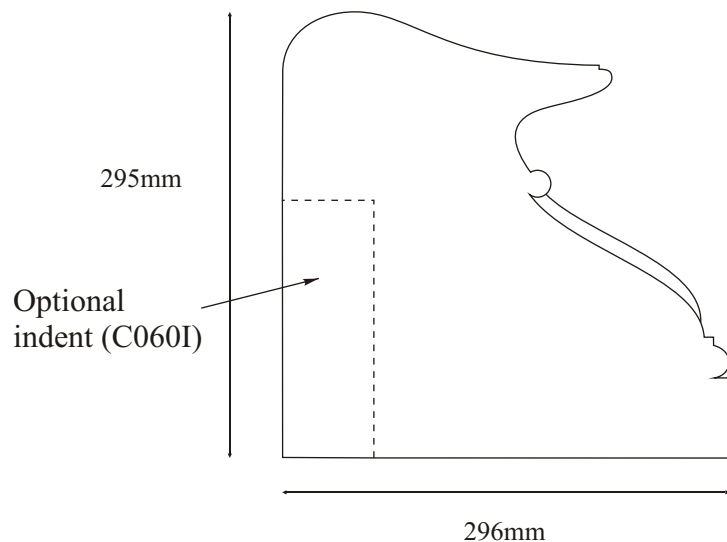
1,854mm

1,072mm

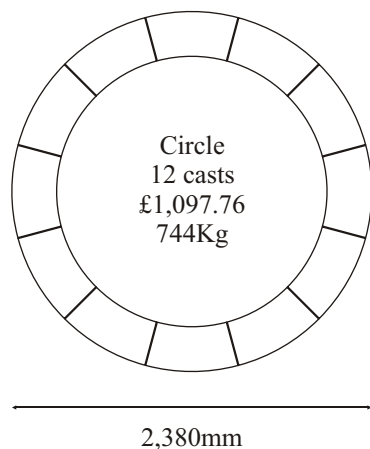
3,964 mm

# Shaftesbury Pool Surround C060.

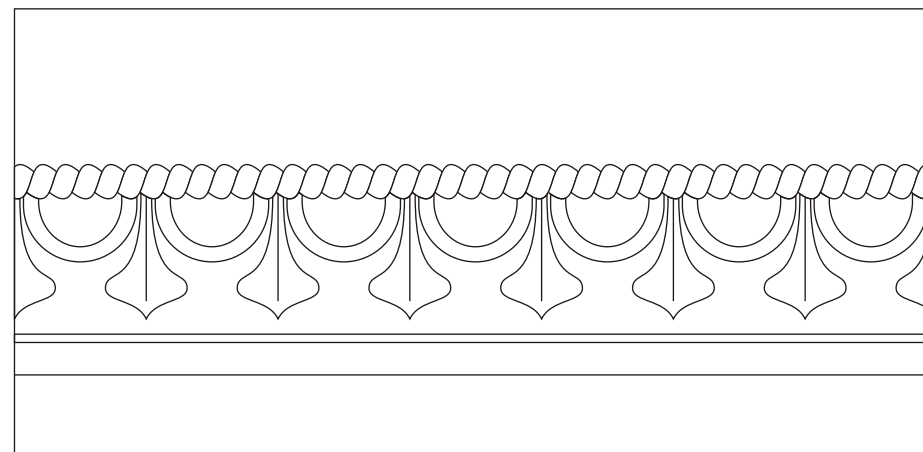
*Cross section. Scale 1:5*



*Plan. Scale 1:50*



*Elevation. Scale 1:5*



*Details*

Section	Code	Length	Radius (outer)	Degree of curvature	Weight (Kg)	Price (per cast)
Curve	C061	-	1,190mm	30°	62Kg	£91.48

Also available with indent (C061I) at the same price

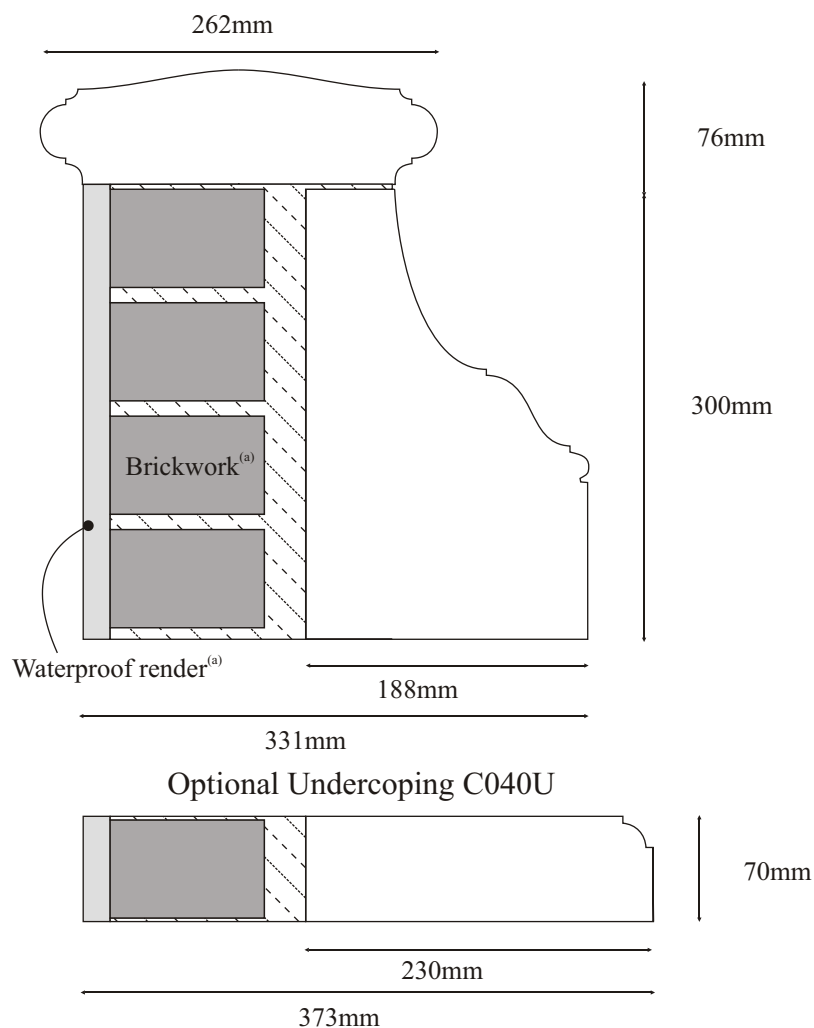
*Comments*

Optional indent (C060I) allows a liner to be inserted behind bricks and waterproof render (not supplied)  
 Fibreglass pool liner available (PL01) Please call for a quotation.  
 Suitable for pools, fountains and raised beds  
 All casts are porous and should be sealed on site where required  
 Egg and dart motif

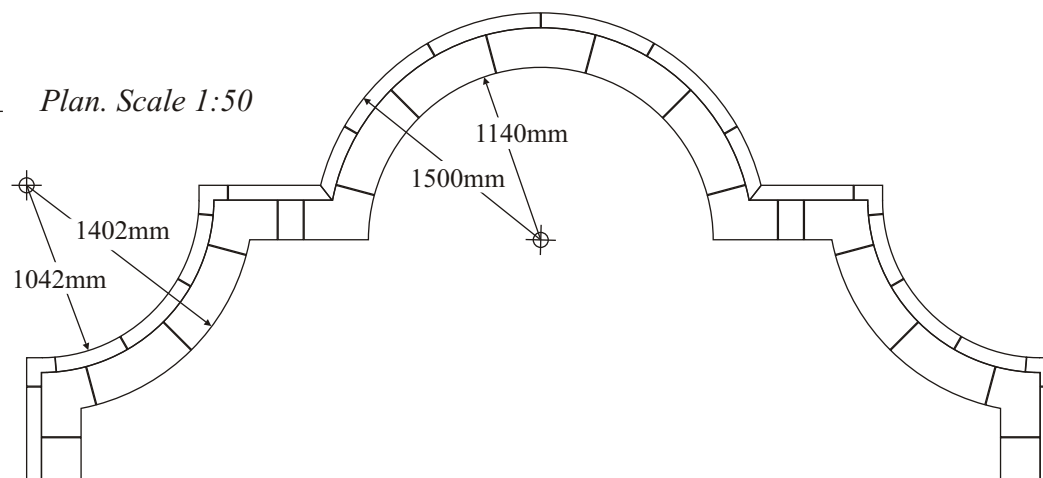
Notes: All prices exclude VAT & delivery. Valid to 01/01/10  
 All measurements exclude grouting. Allow 6mm per joint.

# Riding Court Pool Surround C040.

Cross Section. Scale 1:5



Plan. Scale 1:50



## Details

Section	Code	Length (mm)	Radius (inner)	Radius (outer)	Degree of curvature	Weight (Kg)	Price (per cast <sup>(b)</sup> )
Base curve concave	C041B	-	1,042	-	30°	42	£70.09
Base curve convex	C042B	-	-	1,500	30°	52	£70.09
Base straight	C043B	800	-	-	na	56	£70.09
Base corner	C044B	187	-	-	90°	13	£34.45
Cap curve	C045C	-	1,140	1,402	30°	21	£46.33
Cap corner	C041C	435	-	-	90°	15	£46.33
Cap LH curve corner	C046C	425	1,140	1,402	15°	15	£46.33
Cap RH curve corner	C047C	425	1,140	1,402	15°	15	£46.33
Cap straight	C043C	800	-	-	na	25	£46.33
Base large curve	C049B	-	3,150	3,331	12°	48	£70.09
Cap large curve	C049C	-	2,971	3,233	12°	22	£46.33
Undercoping lge. curve	C049U	-	3,150	3,380	12°	20	£28.51
Undercoping straight	C043U	800	-	-	na	23	£28.51
Undercoping curve	C042U	-	-	1,549	30°	23	£28.51

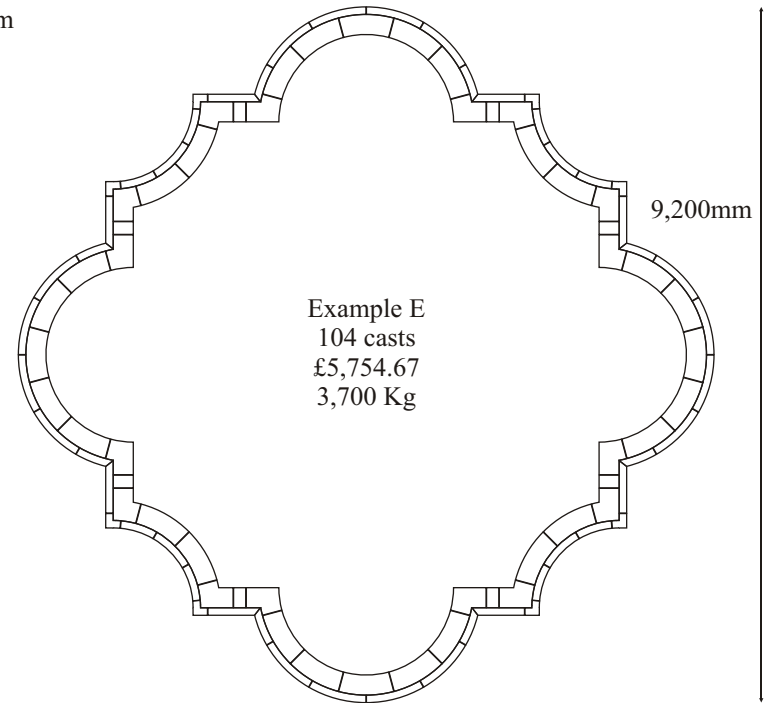
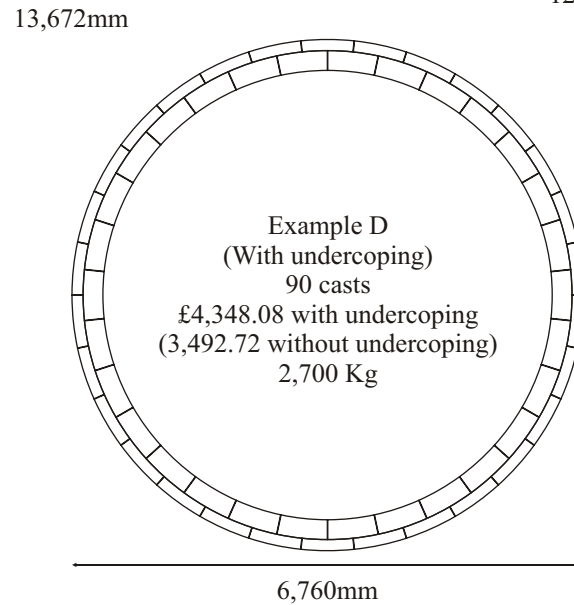
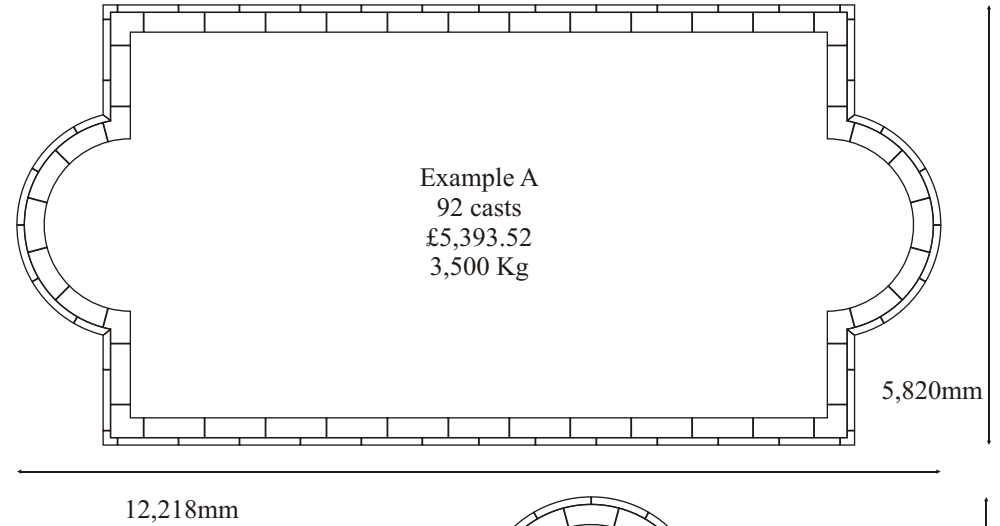
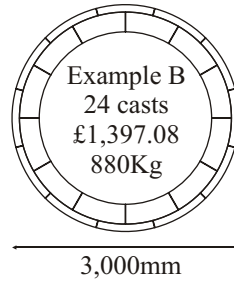
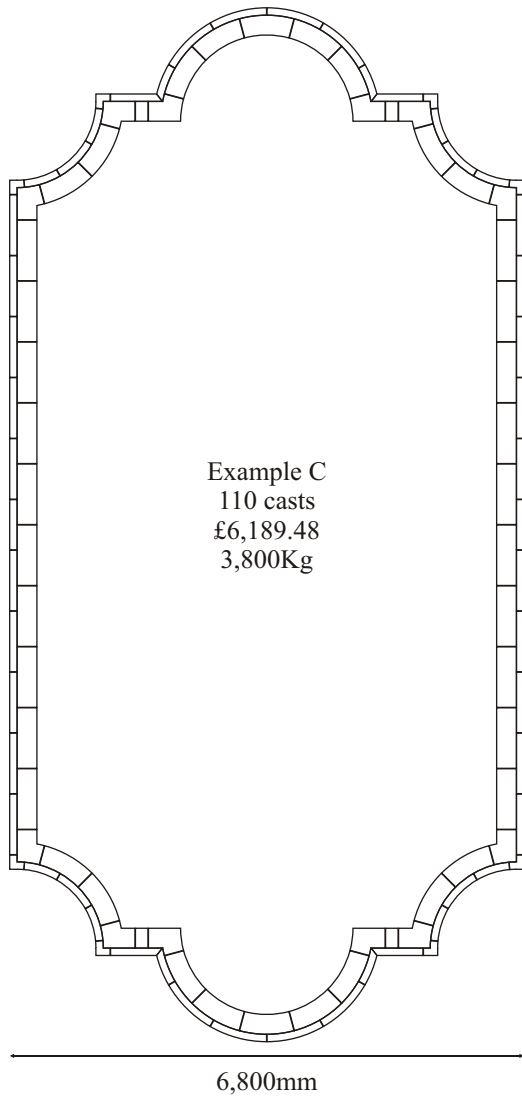
## Notes

- Almost any pool configuration is possible (see next page for examples)
- A pool liner can be inserted behind the bricks
- Bricks and waterproof render not supplied
- Please ask for a quotation for your proposed design
- Other curvatures can be made to order

Notes: (a) Brickwork not included  
 (b) Excluding VAT & delivery. Valid to 01/01/10

# Riding Court Pool Surround C040: Example configurations.

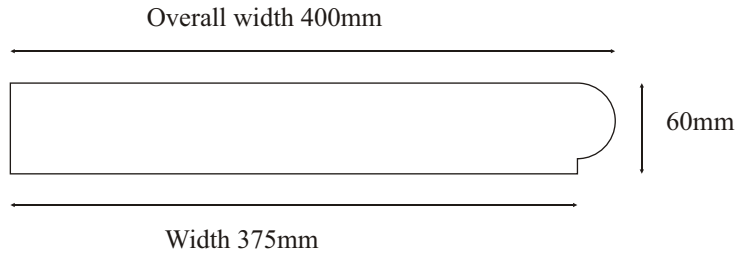
Plan. Scale 1:100



Notes: All prices exclude VAT & delivery. Valid to 01/01/10  
All measurements exclude grouting. Allow 6mm per joint.

# Bull Nosed Pool Surround C080.

Cross section. Scale 1:5



Details

Section	Code	Radius (outer)	Degree of curvature	Weight	Price (per cast <sup>(a)</sup> )
Curve	C081	1,880mm	30°	38kg	£61.42
Curve	C082	1,717mm	30°	35kg	£60.11
Curve	C083	3,500mm	15°	35kg	£60.11
Corner	C084	-	-	17kg	£43.12
Straight	C085	-	-	43kg	£61.42

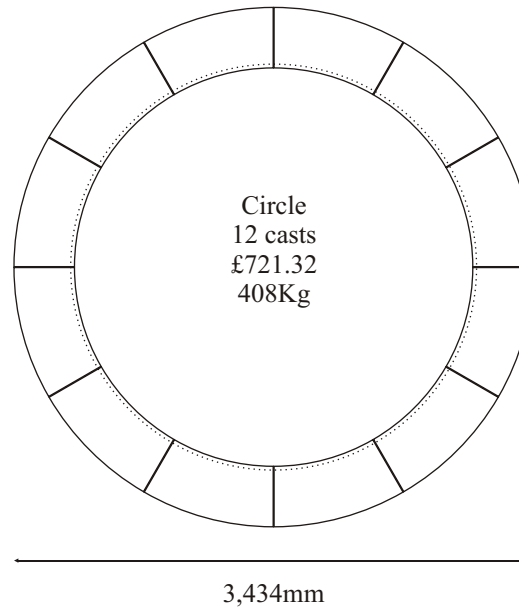
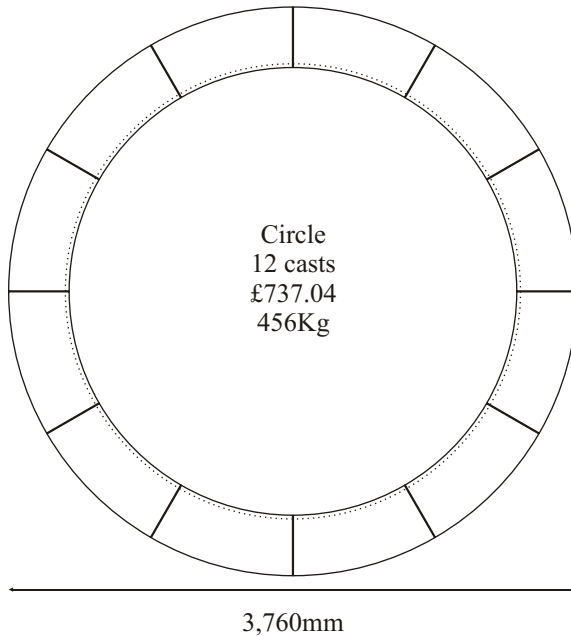
Notes

Suitable for sunken pools or beds.

Prices exclude VAT & delivery. Valid to 01/01/10.

Measurements exclude grouting. Allow 6mm per joint.

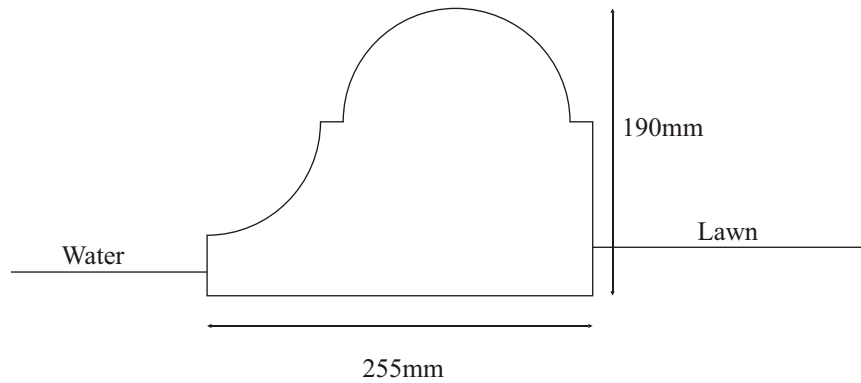
Example configurations. Scale 1:50



Also available 7,000mm Diameter

# Kent Pool Surround C090.

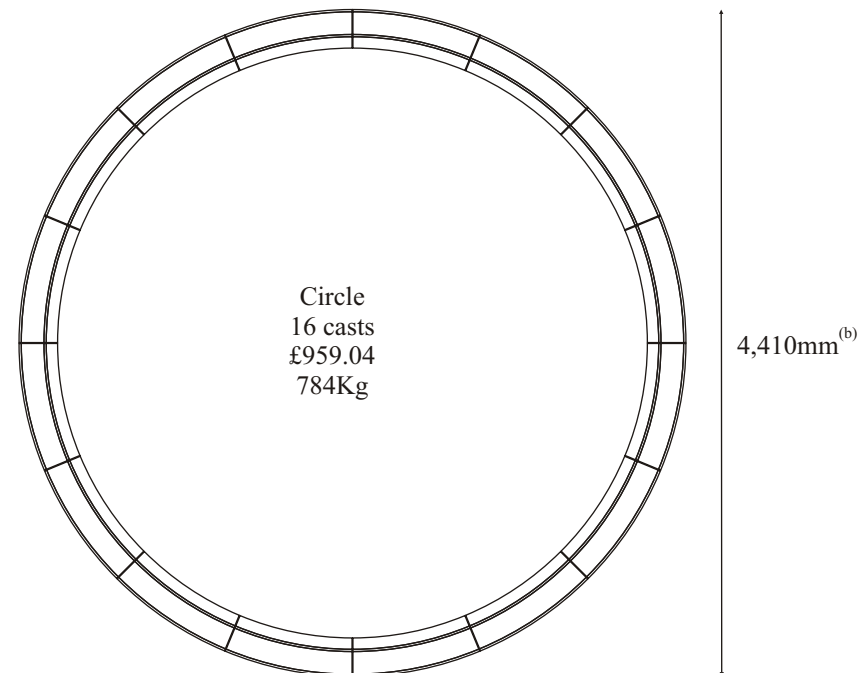
Cross section. Scale 1:5



## Details

Section	Code	Length (outer)	Weight	Price (per cast <sup>(a)</sup> )	Outer radius	Degree of curvature
Curve	C090	-	49Kg	£59.94	2,205mm	22.5°

Example configuration. Scale 1:50

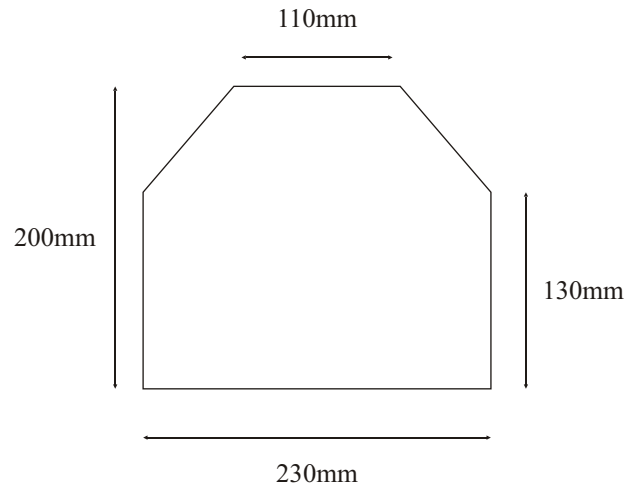


Notes: (a) Excluding VAT & delivery. Valid to 01/01/10

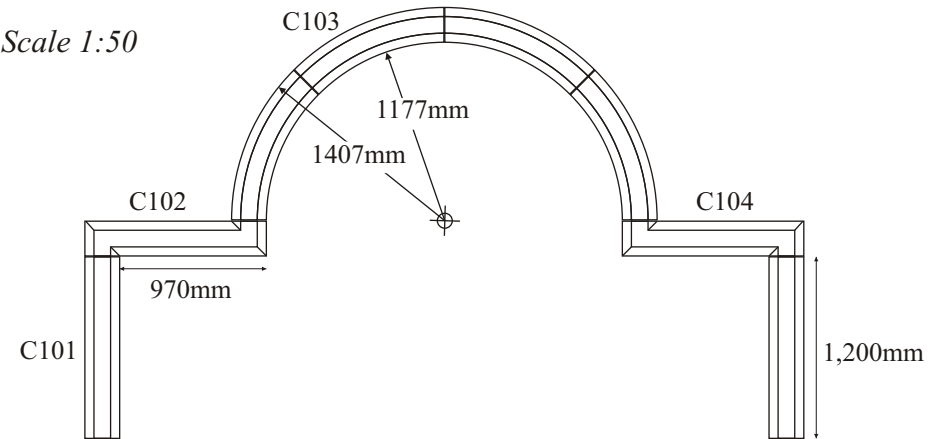
(b) Measurements exclude grouting. Allow 6mm per joint.

# Stour Pool Surround C100.

Cross Section. Scale 1:5



Plan. Scale 1:50



Details

Section	Code	Length (mm)	Radius (inner)	Radius (outer)	Degree of curvature	Weight (Kg)	Price (per cast <sup>(b)</sup> )
Straight	C101	1,200	-	-	-	42	£70.09
RH return	C102	1,200	-	-	-	52	£70.09
LH return	C104	1,200	-	-	-	56	£70.09
Curve	C103	1,102	1,177	1,407	45°	56	£70.09

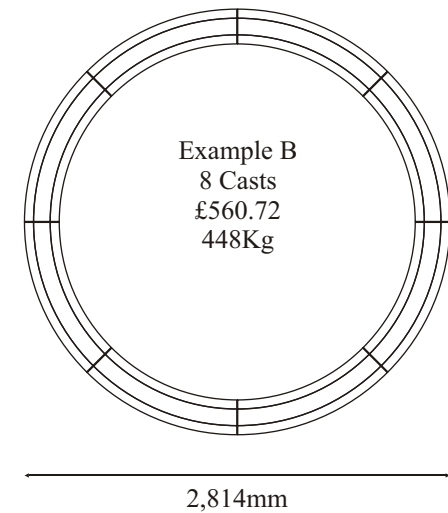
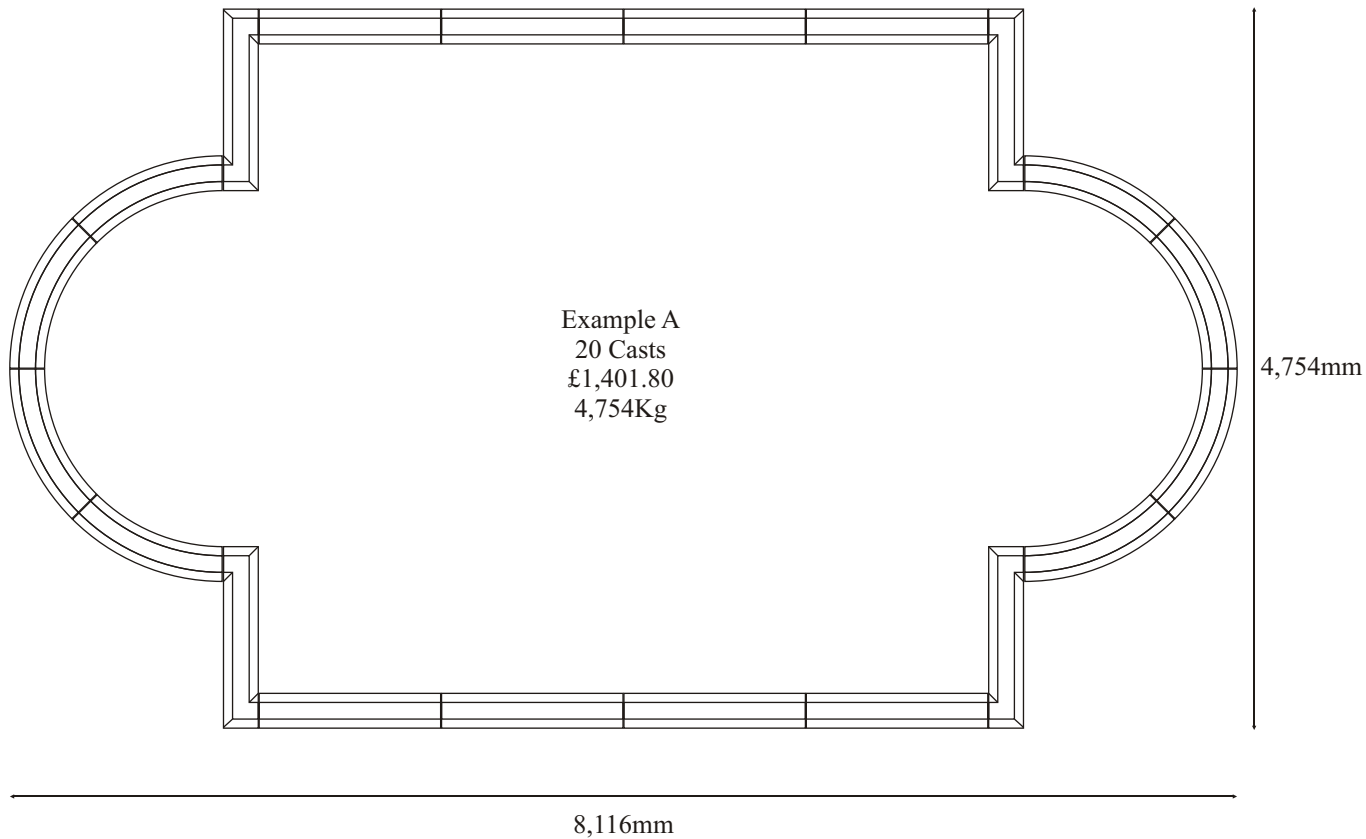
## Notes

Almost any pool configuration is possible (see next page for examples)  
 Please ask for a quotation for your proposed design  
 Other curvatures can be made to order

Notes: (a) Excluding VAT & delivery. Valid to 01/01/10  
 (b) Measurements exclude grouting. Allow 6mm per joint.

# Stour Pool Surround C100 : Example configurations.

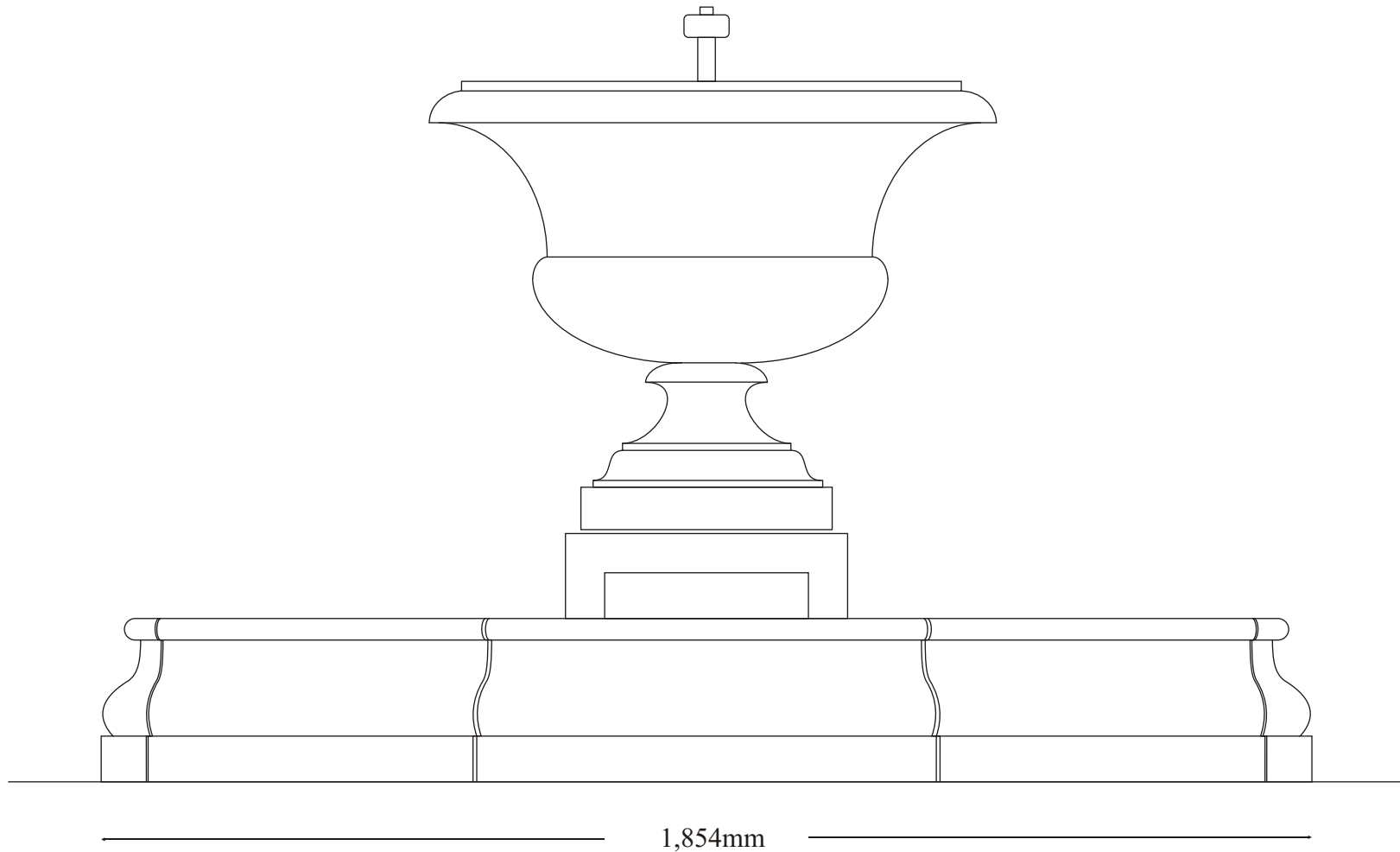
Plan. Scale 1:50



Notes: All Prices exclude VAT & delivery. Valid to 01/01/10

# Bryanston Fountain

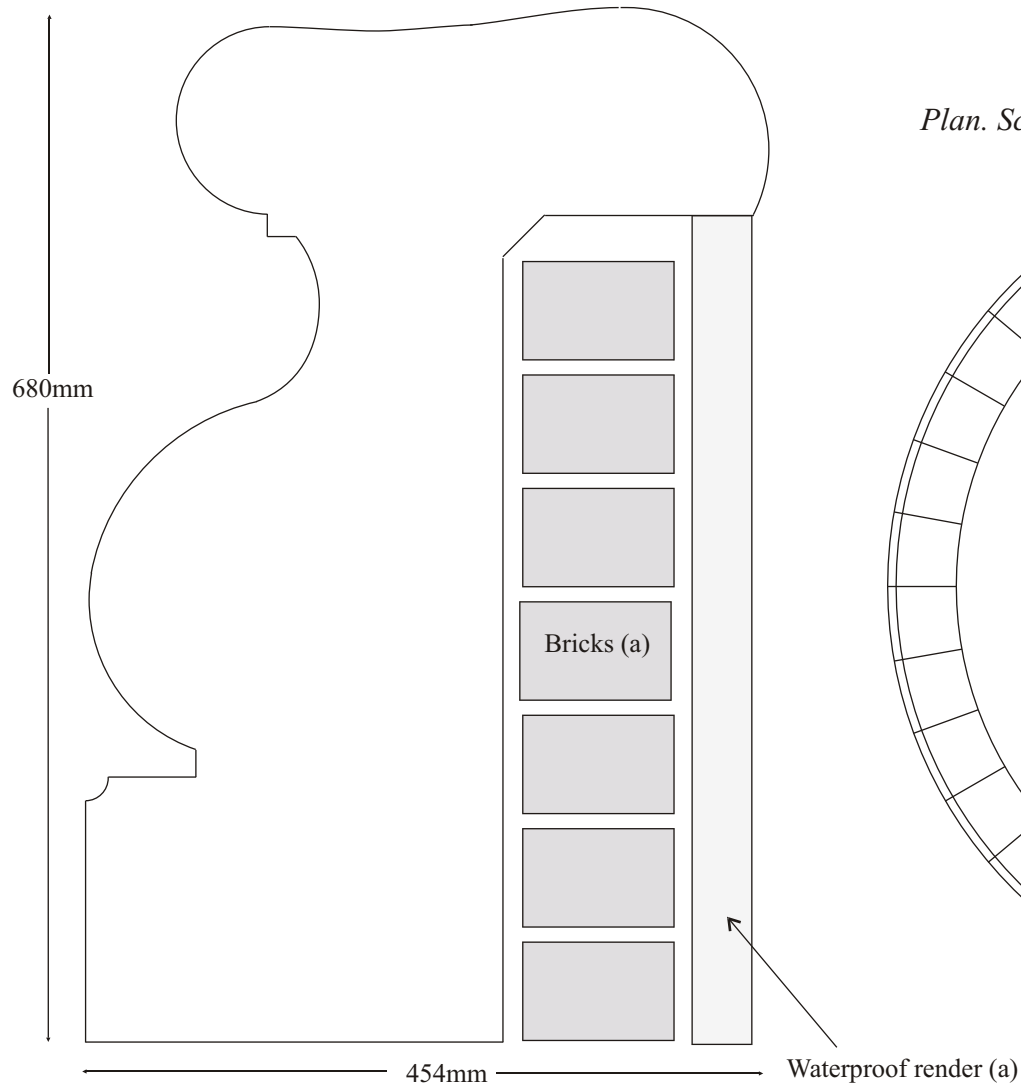
Bryanston Vase UB01 on Square Pedestal UP02 within classical Pool Surround CO30



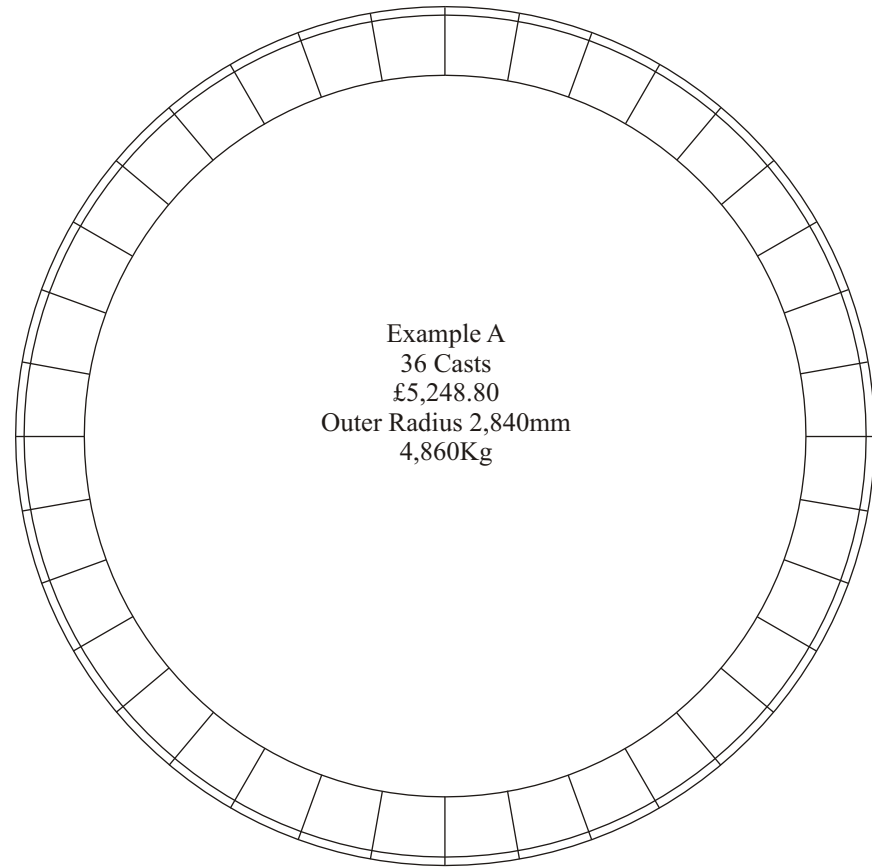
UB01, UP02 and Classical Pool surround (as shown), complete with pump - £857.85  
Many of our other vases can be similarly adapted. Please ask for details.

# Kensington Pool Surround C050.

Cross sections. Scale 1:5



Plan. Scale 1:50



Notes: All prices exclude VAT & delivery. Valid to 01/01/10  
All measurements exclude grouting. Allow 6mm per joint.