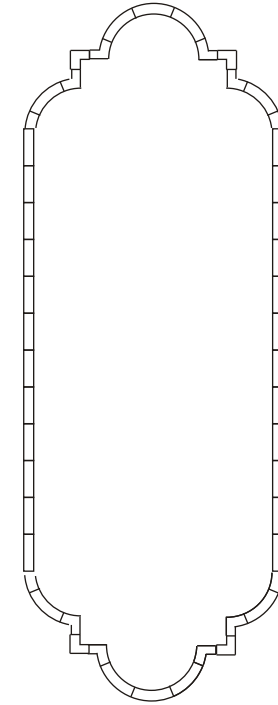
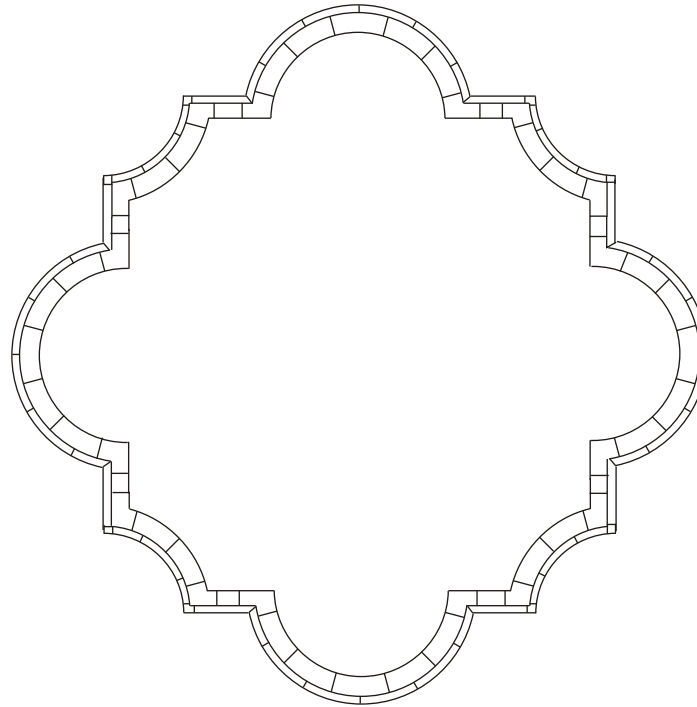
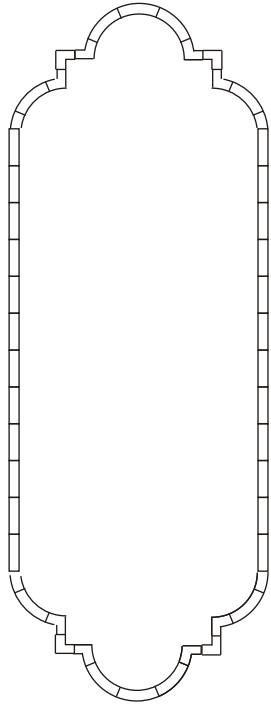


CRANBORNE STONE

ARCHITECTURAL & GARDEN ORNAMENT



POOL SURROUNDS & BED EDGING

Bed Edges & Pool Surrounds: Introduction

Material

All items are cast in reconstituted stone and are frost proof. They are cast by hand using the dry-cast method. Casts are porous unless treated.

Colour

Casts are available in four standard finishes: Portland White, Cotswold, Bath Yellow and Devon Red. All finishes age naturally taking on, over time, the patina of the surrounding lichens and mosses. A wide range of other colours and shades are available at a small additional cost.

Availability

Most architectural items are cast to order. Availability and delivery cost will be noted in all quotations.

Quotations

Please ask for a quotation - we can almost always return a firm quotation on the same day indicating, price, delivery cost and availability.

Assembly

Please ask for assembly instructions and footing measurements for the Riding Court Pool Surround C040. Colour matched grouting of the same colour is available free of charge if requested.

Prices and terms

All prices exclude VAT and delivery and are valid from 01/06/05. With the exception of account customers, or by prior agreement, payment is expected in full with each order.

Weights

All weights are approximate.

Delivery

Delivery can be arranged to all destinations - including overseas destinations. Please ask for a quotation.



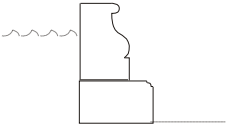
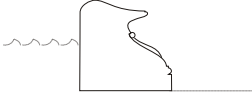
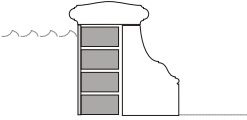
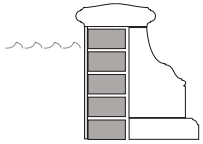
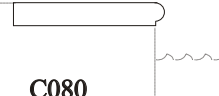
Bespoke work

Cranborne Stone has much experience of realising bespoke designs quickly and economically - please ask for a quotation.

Catalogue version September 2007
Cranborne Stone Ltd is registered in England No 4018059

Bed Edges & Pool Surrounds: Overview.

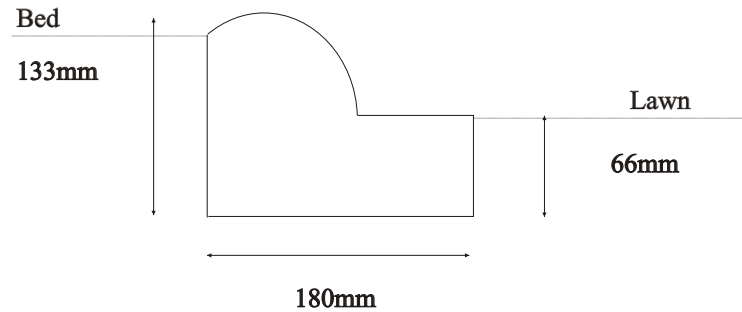
Cross section. Scale 1:25

<i>Code</i>							
C020	C030	C030U	C060	C040	C040U	C080	
Bed Edge	Classical pool surround	Classical pool surround on undercoping	Shaftesbury pool surround	Riding Court pool surround	Riding Court pool surround on undercoping	Bull nosed pool surround	
Height (overall)	133mm	250mm	396mm	295mm	378mm	448mm	60mm
Width (maximum)	180mm	165mm	244mm	296mm	360mm	409mm	400mm
Diameter (outer) of curved sections	3,400mm	1,700mm 1,854mm 2,442mm 3,400mm 5,740mm	1,858mm 2,012mm 2,600mm 3,558mm 5,898mm	2,380mm	3,000mm 6,660mm	6,760mm	3,800mm
Approximate price(a) per metre	£28.60	£80.00	£137	£136	£134	£168	£57
Details	page 3.3	page 3.4	page 3.4	page 3.6	page 3.7	page 3.7	page 3.9

Notes: (a) Excluding VAT & delivery. Valid to 01/04/08

Bed Edge C020.

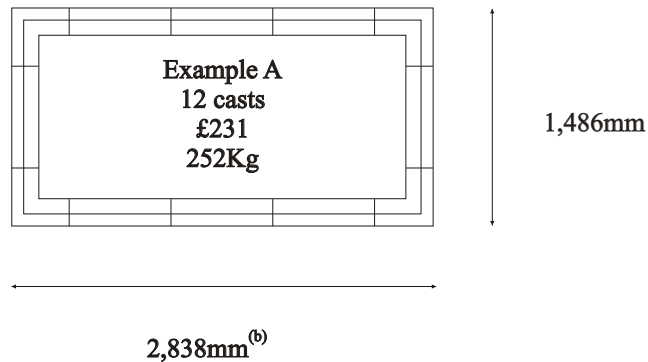
Cross section. Scale 1:5



Details

Section	Code	Length (outer)	Weight	Price (per cast ^(a))	Outer radius	Degree of curvature
Straight	C021	676mm	22Kg	£19.25		
Corner	C022	405mm	19Kg	£19.25		
Curve	C023	873mm	28Kg	£27.50	1,700mm	30

Example configuration. Scale 1:50



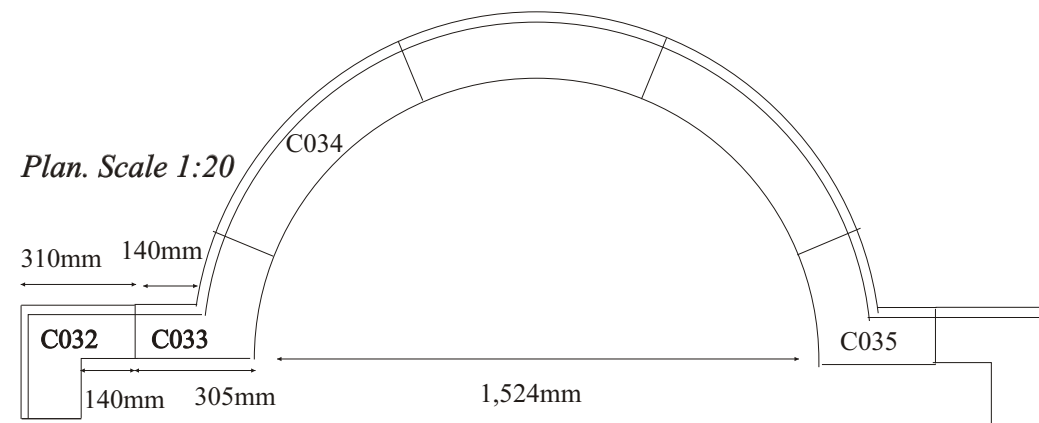
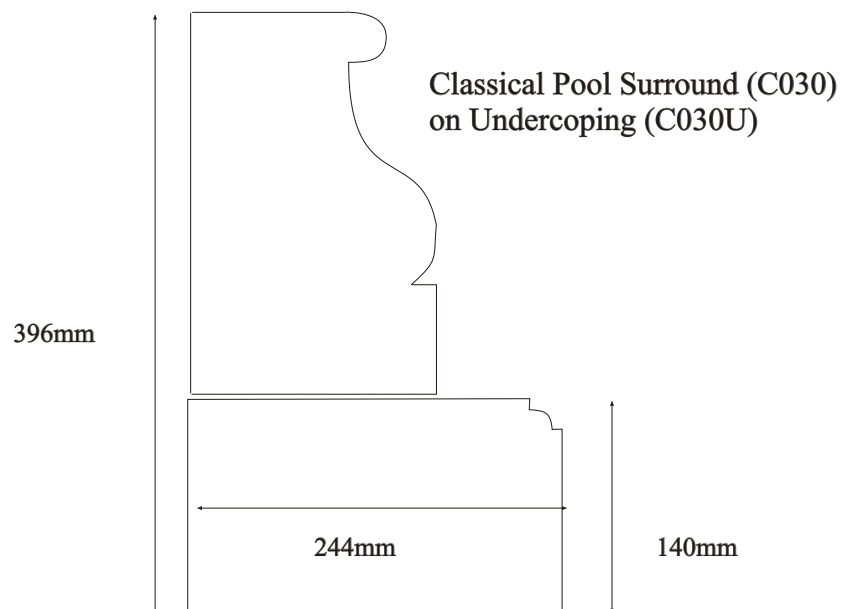
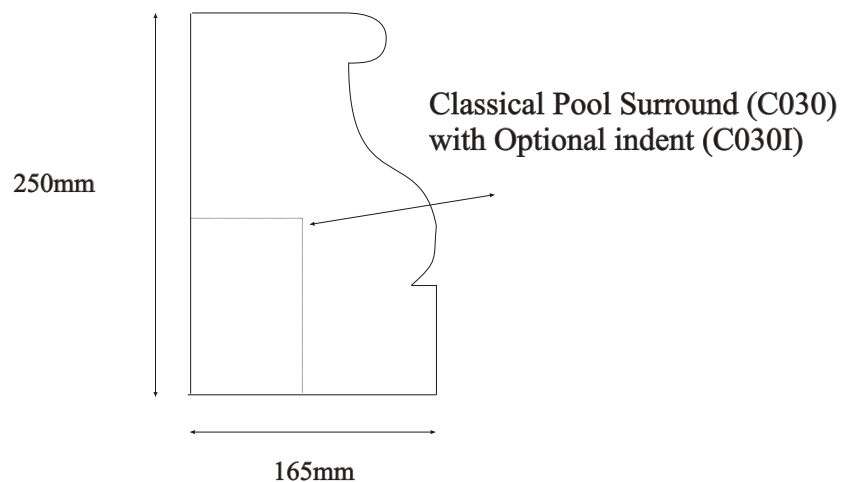
Comments

Simplifies maintenance of grass edges
 Raises beds
 Other curved sections are available on request

Notes: (a) Excluding VAT & delivery. Valid to 01/04/08
 (b) Measurements exclude grouting. Allow 6mm per joint.

Classical Pool Surround C030.

Cross sections. Scale 1:5



Details

Section	Code	Length	Radius (outer)	Degree of curvature	Weight	Price per cast ^(a)
Straight	C031	635mm	-	-	32Kg	£50.82
Corner (external)	C032	310mm	-	-	32Kg	£50.82
Corner (internal)	C032B	305mm	-	-	32Kg	£50.82
Curve corner (LH)	C033	305mm	927mm	22.5 ^o	32Kg	£50.82
Curve corner (RH)	C035	305mm	927mm	22.5 ^o	32Kg	£50.82
Curve corner (Concave) LH	C039L	342mm	1,540mm	-	32Kg	£50.82
Curve corner (Concave) RH	C039R	342mm	1,540mm	-	32Kg	£50.82
Curve	C039A	-	670mm	45 ^o	32Kg	£50.82
Curve	C034A	-	850mm	45 ^o	32Kg	£50.82
Curve	C034	-	927mm	45 ^o	32Kg	£50.82
Curve	C034B	-	1,700mm	30 ^o	32Kg	£50.82
Curve	C036	-	2,870mm	15 ^o	32Kg	£50.82
Curve	C037	-	1,221mm	30 ^o	32Kg	£50.82
Concave curve	C038	-	2,400mm	15 ^o	32Kg	£50.82
Concave CC (L/R)	C038L/R	-	2,400mm	7.5 ^o	32Kg	£50.82
Concave curve	C039	-	1,540mm	25.7 ^o	32Kg	£50.82
135o corner int.	C039I	310mm	-	-	32Kg	£50.82
135o corner ext.	C039E	310mm	-	-	32Kg	£50.82
Undercoping						
Straight	C031U	635mm	-	-	39Kg	£36.30
Corner	C032U	384mm	-	-	36Kg	£36.30
Curve	C034U	-	1,006mm	45 ^o	43Kg	£36.30
Curve	C035U	-	1,556mm	30 ^o	46Kg	£36.30
Curve	C036U	-	2,949mm	15 ^o	45Kg	£36.30
Curve	C037U	-	1,300mm	30 ^o	38Kg	£36.30

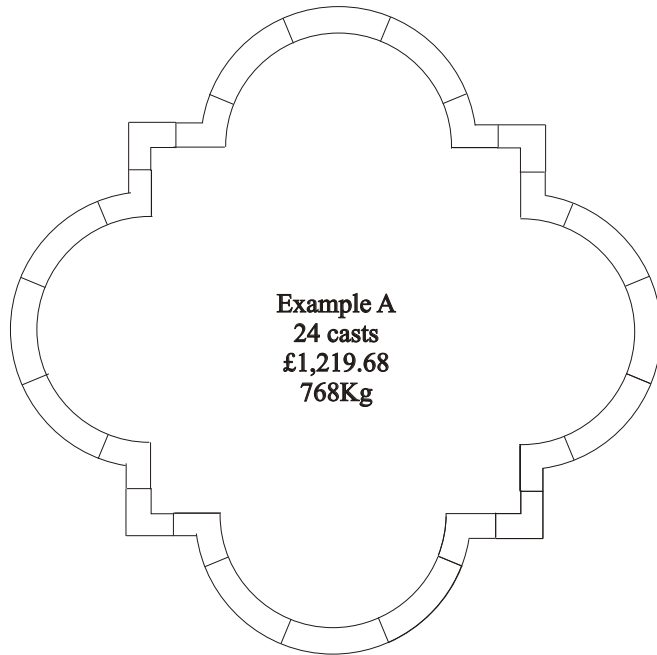
Comments

See page 3.5 for example configurations. Suitable for raised beds or pools
Optional indent (C030I) allows a liner to be inserted behind bricks and waterproof render

Classical Pool Surround C030: Example configurations.

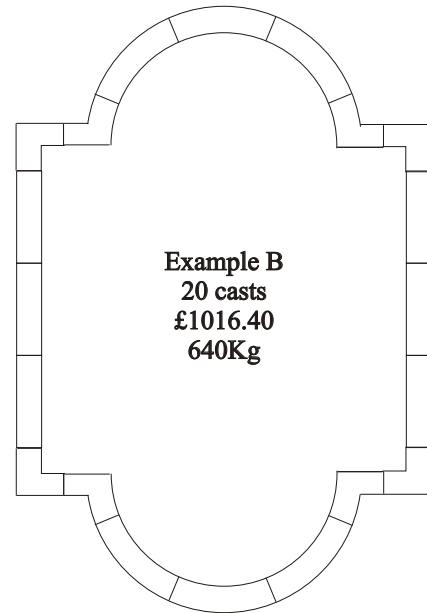
Plan. Scale 1:50

Notes: All prices exclude VAT & delivery. Valid to 01/04/07.
All measurements exclude grouting. Allow 6mm per joint.



Example A
24 casts
£1,219.68
768Kg

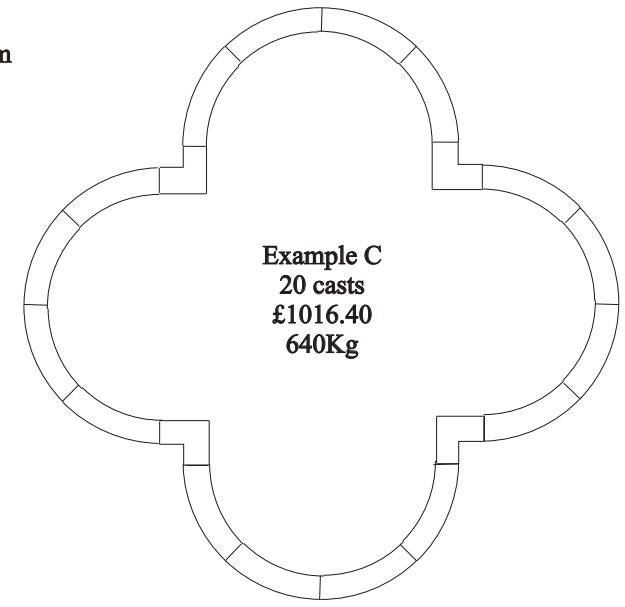
4,278mm



Example B
20 casts
£1016.40
640Kg

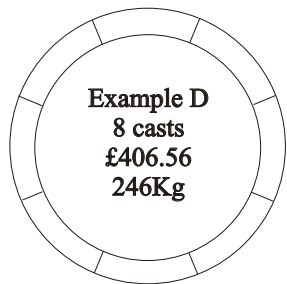
2,754mm

3,964 mm



Example C
20 casts
£1016.40
640Kg

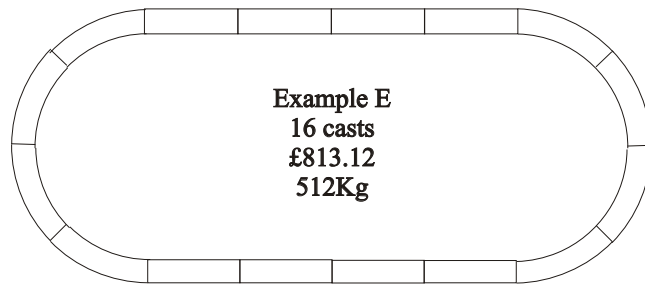
3,988mm



Example D
8 casts
£406.56
246Kg

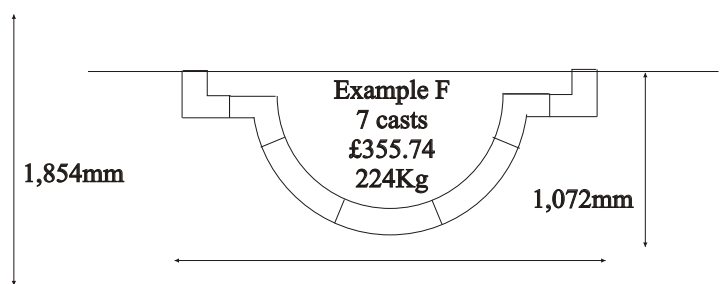
1,854mm

Also circles of 2,442mm & 5,740mm diameter



Example E
16 casts
£813.12
512Kg

4,394mm



Example F
7 casts
£355.74
224Kg

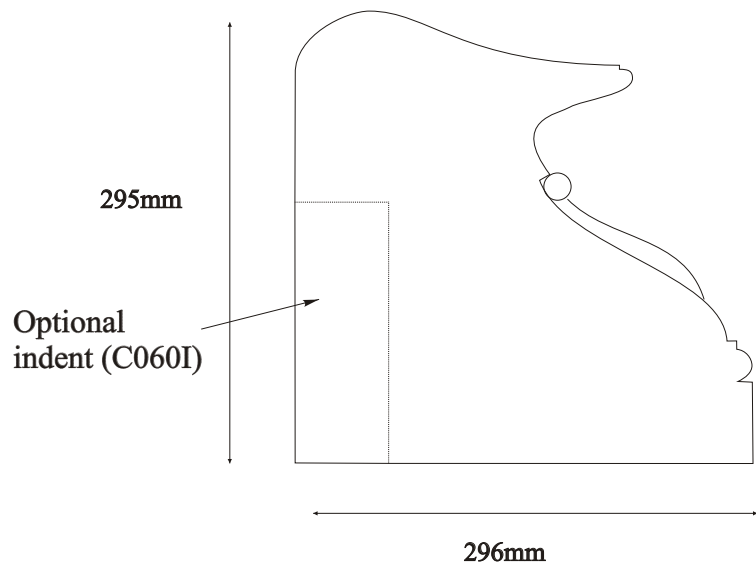
1,854mm

1,072mm

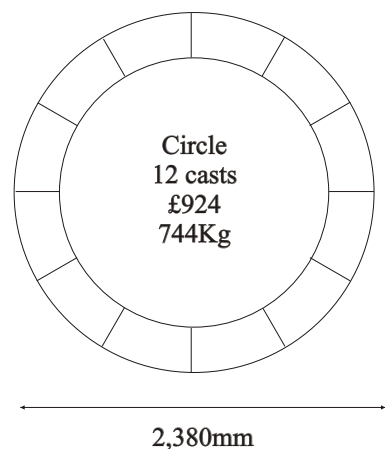
2,754mm

Shaftesbury Pool Surround C060.

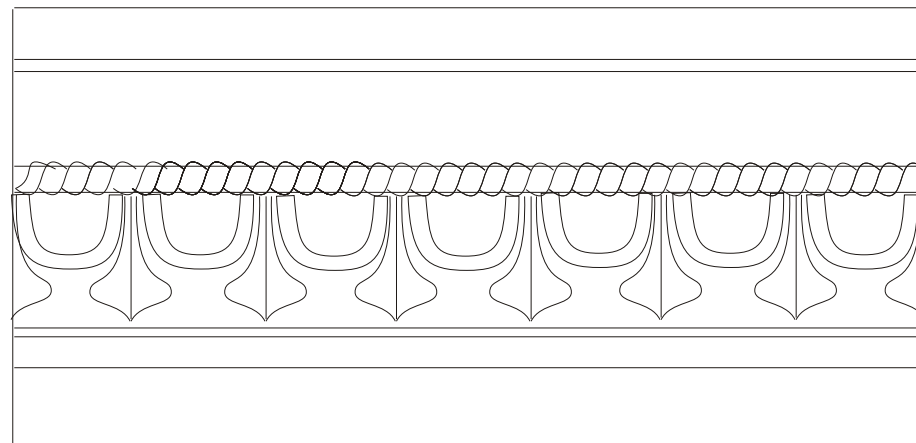
Cross section. Scale 1:5



Plan. Scale 1:50



Elevation. Scale 1:5



Details

Section	Code	Length	Radius (outer)	Degree of curvature	Weight (Kg)	Price (per cast)
Curve	C061	-	1,190mm	30°	62Kg	£84.70

Also available with indent (C061I) at the same price

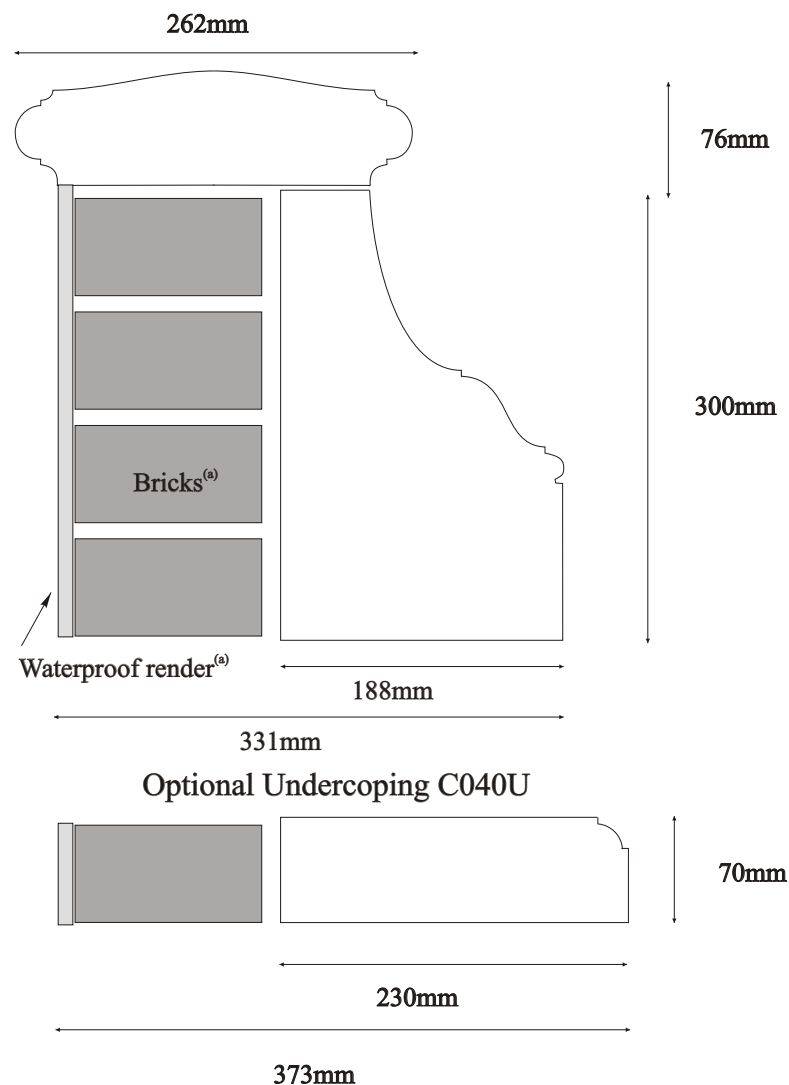
Comments

Optional indent (C060I) allows a liner to be inserted behind bricks and waterproof render (not supplied)
 Fibreglass pool liner available (PL01) £300.00
 Suitable for pools, fountains and raised beds
 All casts are porous and should be sealed on site where required
 Egg and dart motif

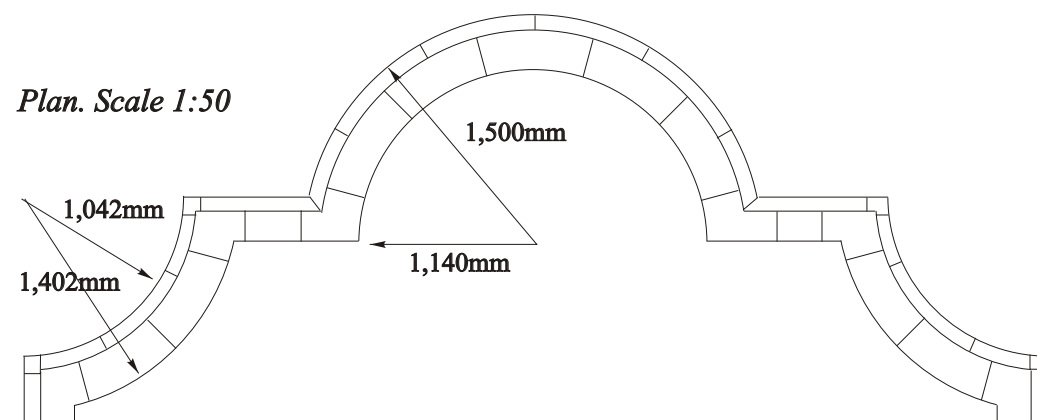
Notes: All prices exclude VAT & delivery. Valid to 01/04/08.
 All measurements exclude grouting. Allow 6mm per joint.

Riding Court Pool Surround C040.

Cross Section. Scale 1:5



Plan. Scale 1:50



Details

Section	Code	Length (mm)	Radius (inner)	Radius (outer)	Degree of curvature	Weight (Kg)	Price (per cast ^(b))
Base curve concave	C041B	-	1,042	-	30°	42	£64.90
Base curve convex	C042B	-	-	1,500	30°	52	£64.90
Base straight	C043B	800	-	-	na	56	£64.90
Base corner	C044B	187	-	-	90°	13	£31.90
Cap curve	C045C	-	1,140	1,402	30°	21	£42.90
Cap corner	C041C	435	-	-	90°	15	£42.90
Cap LH curve corner	C046C	425	1,140	1,402	15°	15	£42.90
Cap RH curve corner	C047C	425	1,140	1,402	15°	15	£42.90
Cap straight	C043C	800	-	-	na	25	£42.90
Base large curve	C049B	-	3,150	3,331	12°	48	£64.90
Cap large curve	C049C	-	2,971	3,233	12°	22	£42.90
Undercoping lge. curve	C049U	-	3,150	3,380	12°	20	£26.40
Undercoping straight	C043U	800	-	-	na	23	£26.40
Undercoping curve	C042U	-	-	1,549	30°	23	£26.40

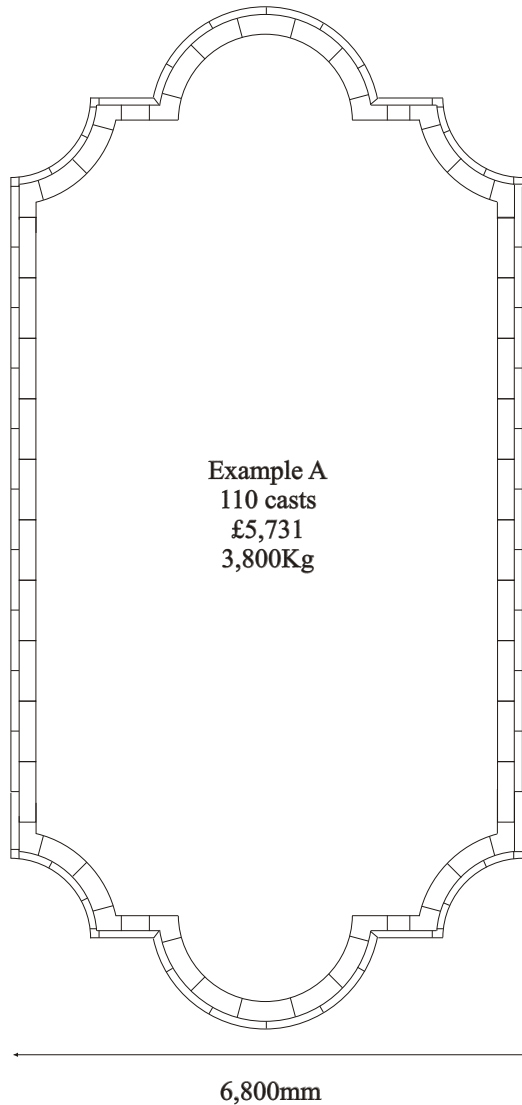
Comments

Almost any pool configuration is possible (see next page for examples)
 A pool liner can be inserted behind the bricks
 Bricks and waterproof render not supplied
 Please ask for a quotation for your proposed design
 Other curvatures can be made to order

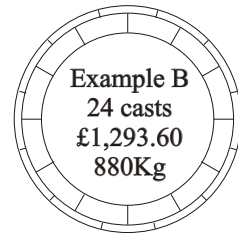
Notes: (a) Not included
 (b) Excluding VAT & delivery. Valid to 01/04/07

Riding Court Pool Surround C040: Example configurations.

Plan. Scale 1:100

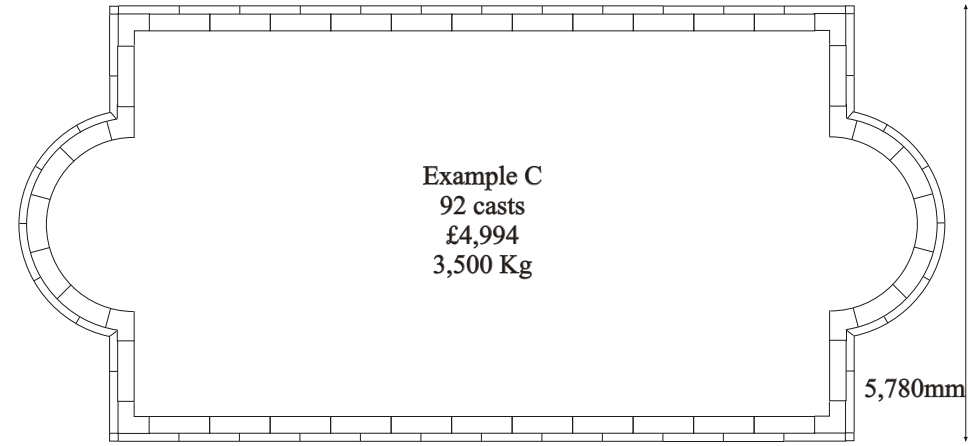


Example A
110 casts
£5,731
3,800Kg



Example B
24 casts
£1,293.60
880Kg

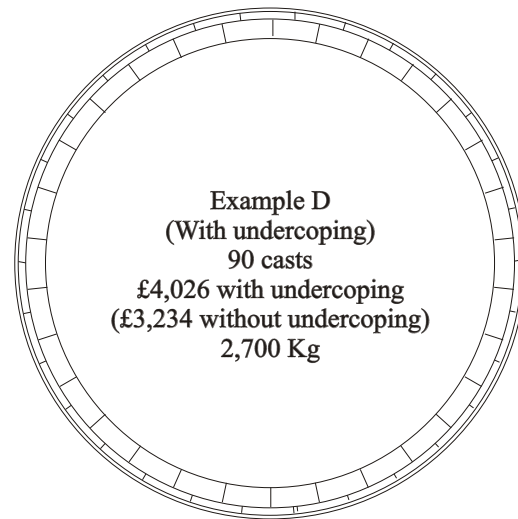
3,000mm



Example C
92 casts
£4,994
3,500 Kg

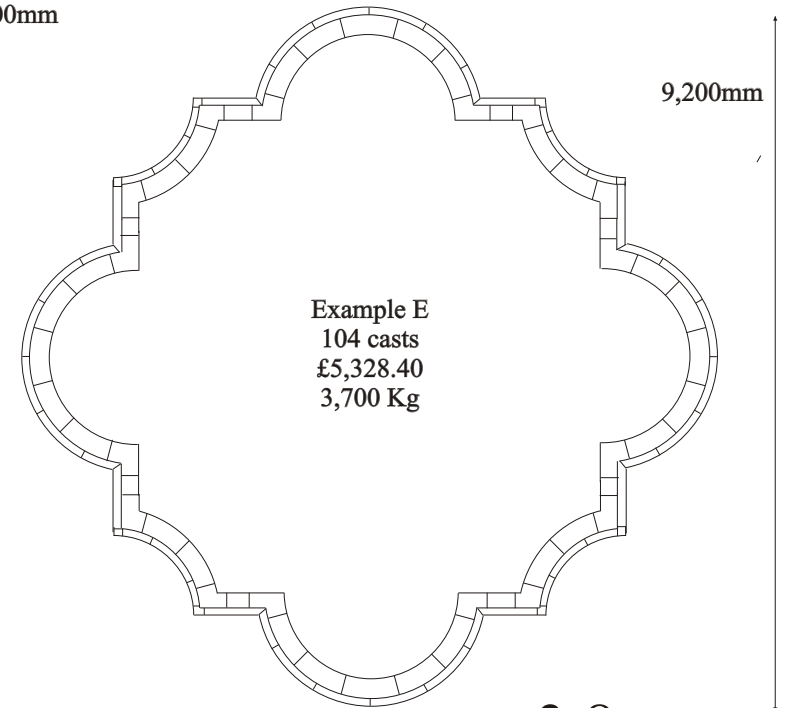
5,780mm

12,200mm



Example D
(With undercoping)
90 casts
£4,026 with undercoping
(£3,234 without undercoping)
2,700 Kg

6,760mm



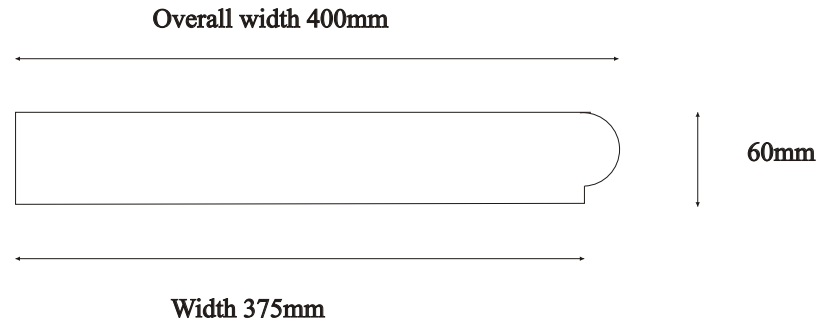
Example E
104 casts
£5,328.40
3,700 Kg

9,200mm

Notes: All prices exclude VAT & delivery. Valid to 01/04/08
All measurements exclude grouting. Allow 6mm per joint.

Bull Nosed Pool Surround C080.

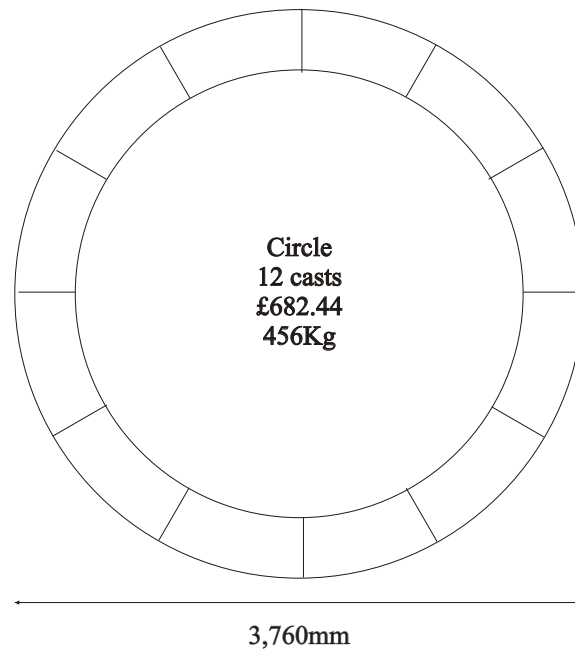
Cross section. Scale 1:5



Details

Section	Code	Radius (outer)	Degree of curvature	Weight	Price (per cast ^(a))
Curve	C081	1,880mm	30°	38Kg	£56.87
Curve	C082	1,717mm	30°	35Kg	£55.66
Curve	C083	3,500mm	15°	35Kg	£55.66
Corner	C084	-	-	17Kg	£39.93
Straight	C085	-	-	43Kg	£56.87

Example configuration. Scale 1:50



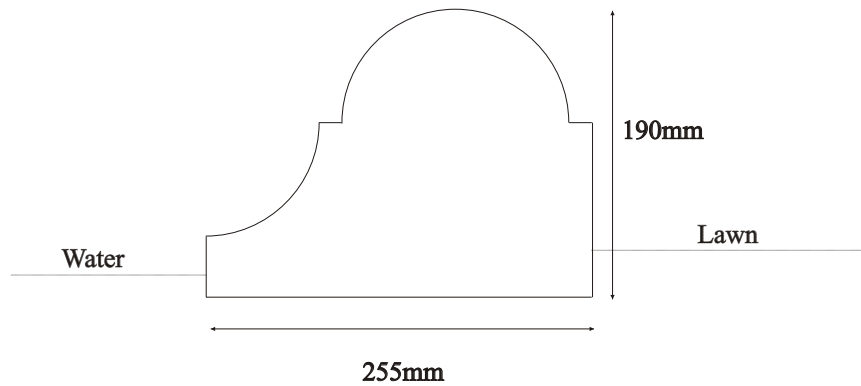
Comments

Suitable for sunken pools or beds.

Notes: (a) Excluding VAT & delivery. Valid to 01/04/07.
Measurements exclude grouting. Allow 6mm per joint.

Kent Pool Surround C090.

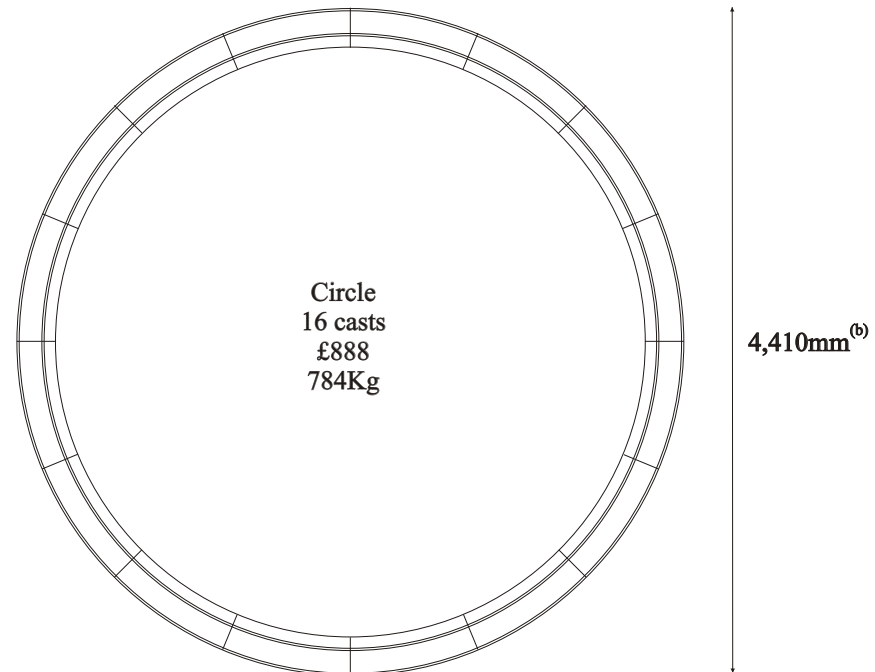
Cross section. Scale 1:5



Details

Section	Code	Length (outer)	Weight	Price (per cast ^(a))	Outer radius	Degree of curvature
Curve	C090	-	49Kg	£55.50	2,205mm	22.5°

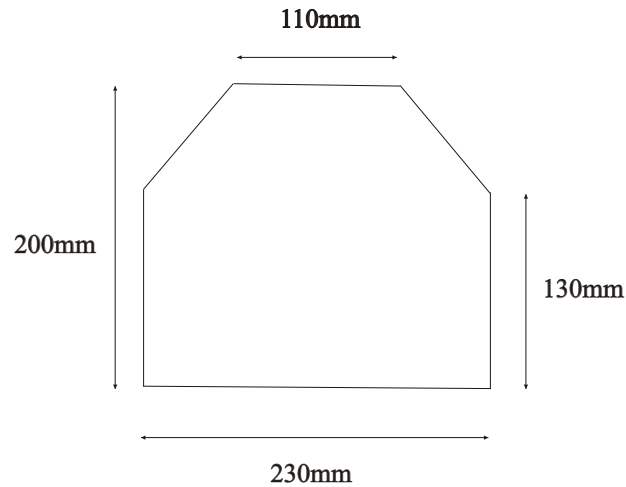
Example configuration. Scale 1:50



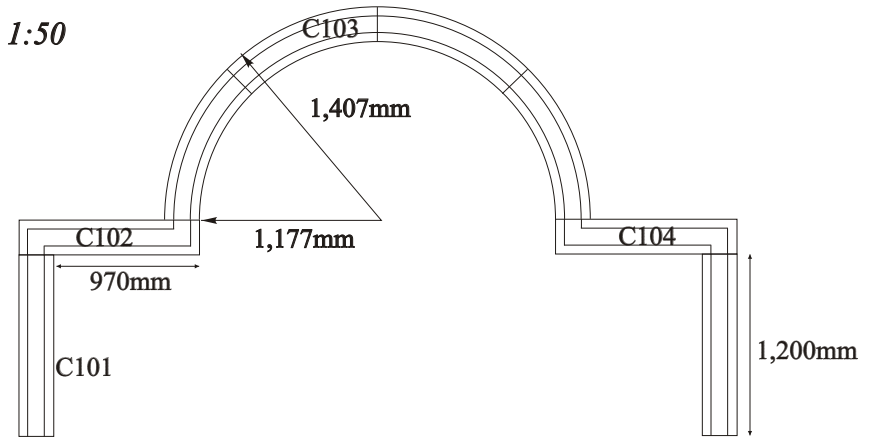
Notes: (a) Excluding VAT & delivery. Valid tp01/04/08
(b) Measurements exclude grouting. Allow 6mm per joint.

Stour Pool Surround C100.

Cross Section. Scale 1:5



Plan. Scale 1:50



Details

Section	Code	Length (mm)	Radius (inner)	Radius (outer)	Degree of curvature	Weight (Kg)	Price (per cast ^(b))
Straight	C101	1,200	-	-	-	42	£64.90
RH return	C102	1,200	-	-	-	52	£64.90
LH return	C104	1,200	-	-	-	56	£64.90
Curve	C103	1,102	1,177	1,407	45	56	£64.90

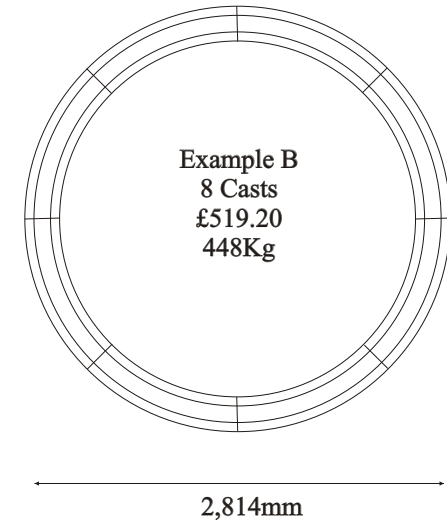
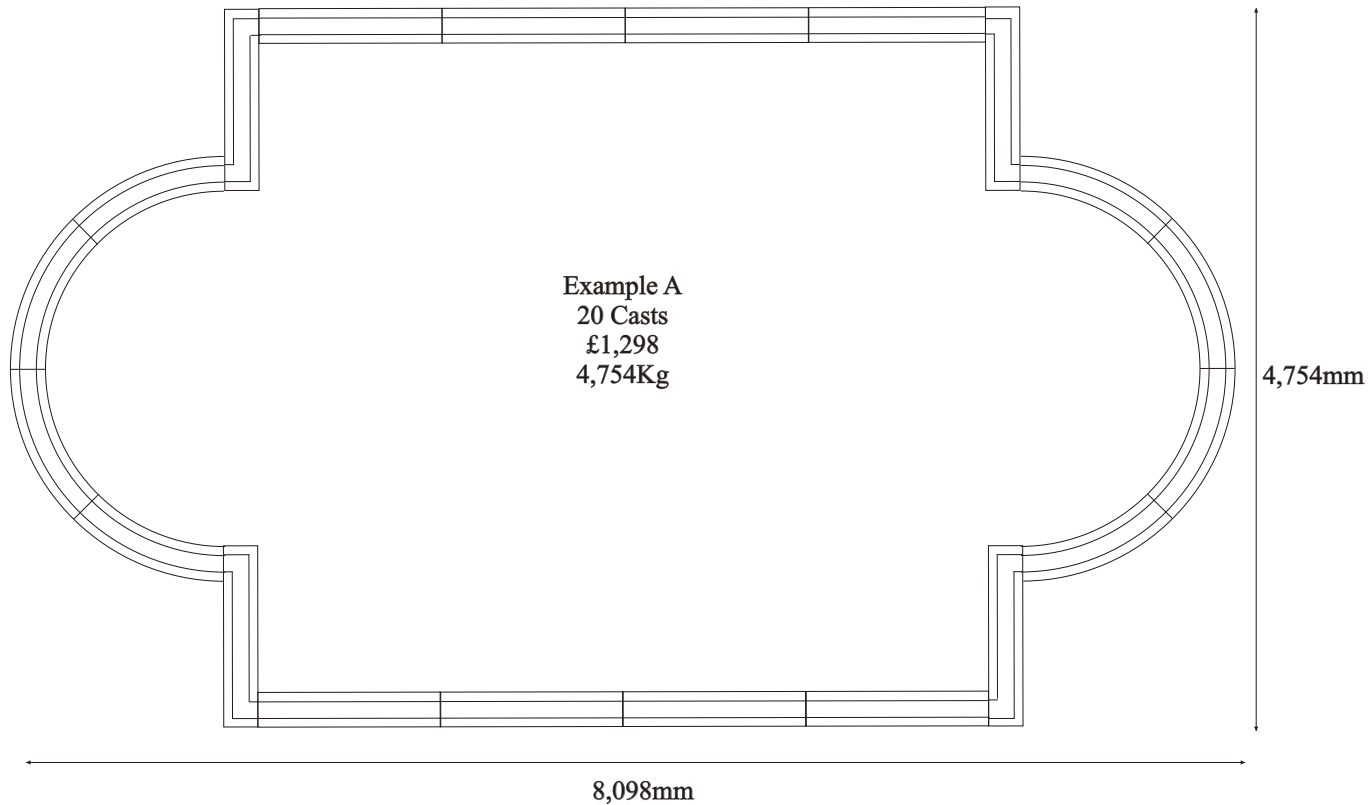
Comments

Almost any pool configuration is possible (see next page for examples)
 Please ask for a quotation for your proposed design
 Other curvatures can be made to order

Notes: All prices exclude VAT & delivery. Valid to 01/04/07.

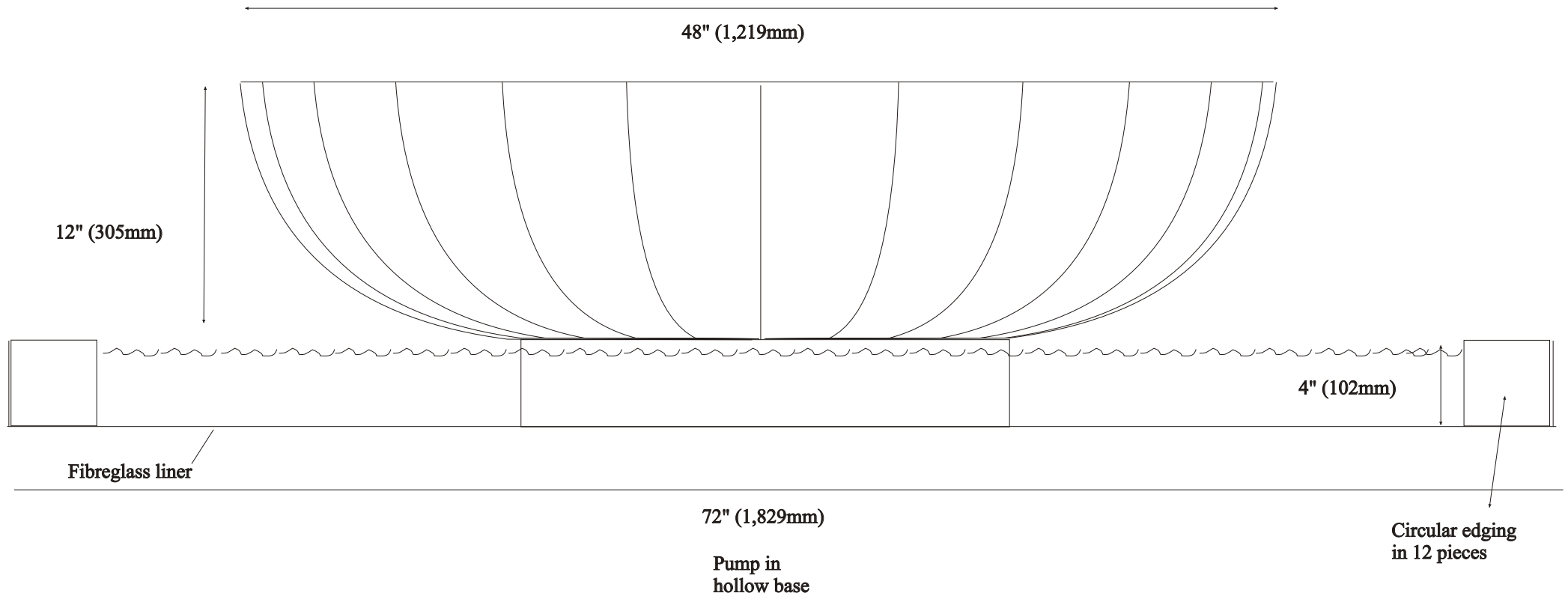
Stour Pool Surround C100 : Example configurations.

Plan. Scale 1:50



Notes: All prices exclude VAT & delivery. Valid to 01/04/07

Alhambra Fountain AL01.



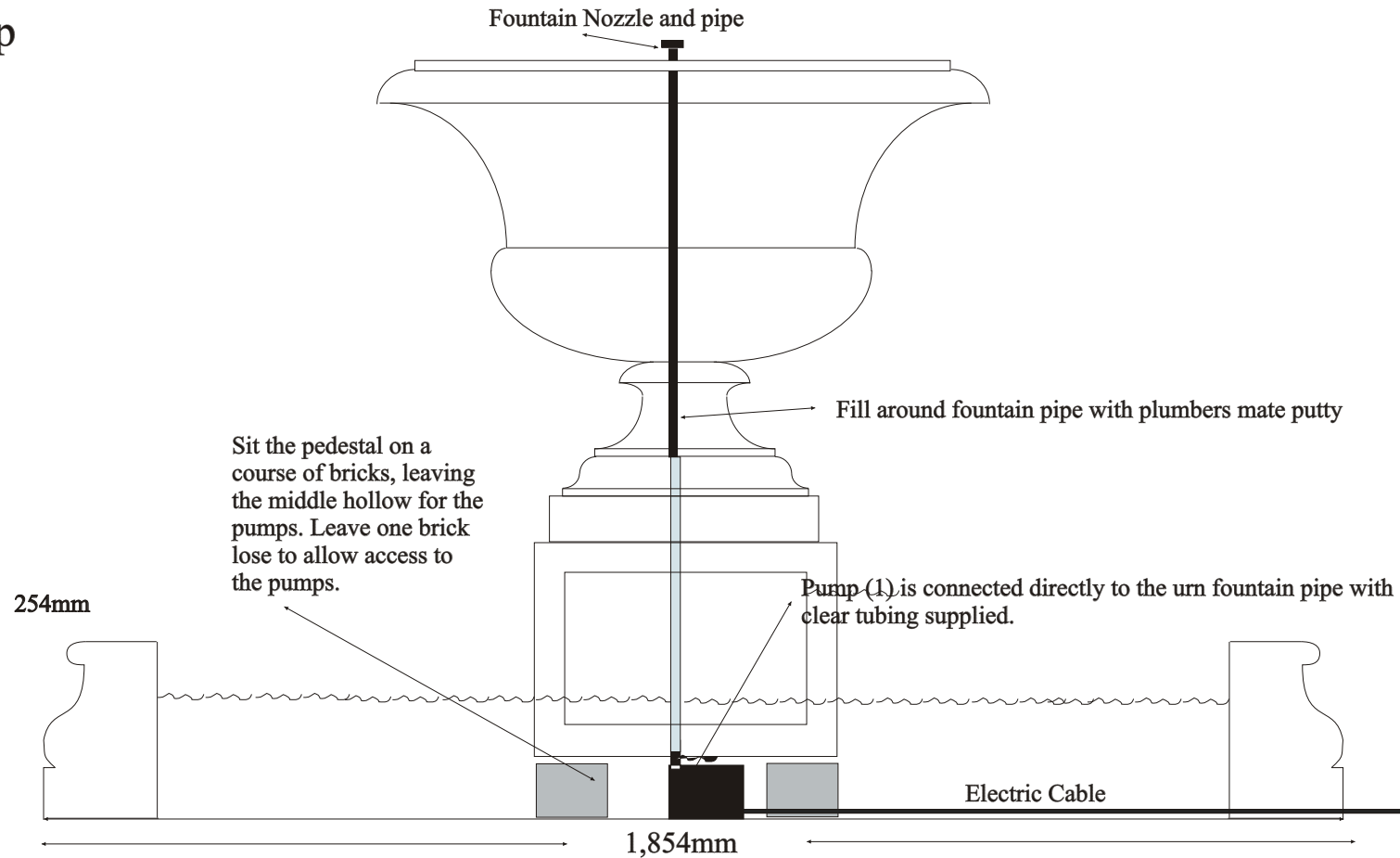
AL01 - Alhambra bowl only - £510.64
AL01-4 - Complete with surround, pump & liner - £991.49

Notes: Excluding VAT & delivery. Valid to 01/04/08

Bryanston Fountain

Bryanston Vase UB01 on Square Pedestal UP02 within classical Pool Surround CO30

Pump set up



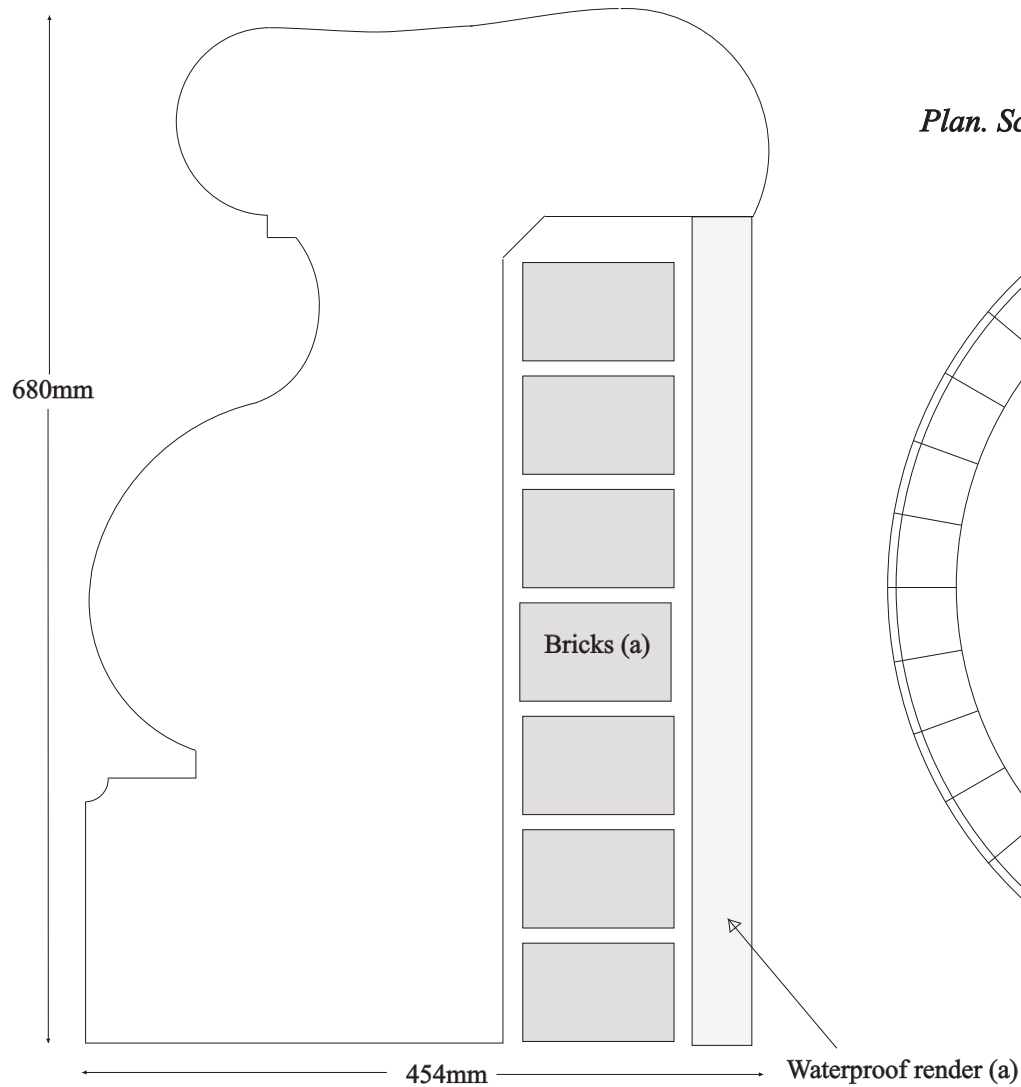
1) Pool surround needs to be placed on a concrete level base, Once the surround is in place either line with a waterproof render or with a fibreglass liner done on site by others. .

UB01, UP02 and Classical Pool surround (as shown), complete with pump - £744.68
Many of our other vases can be similarly adapted. Please ask for details.

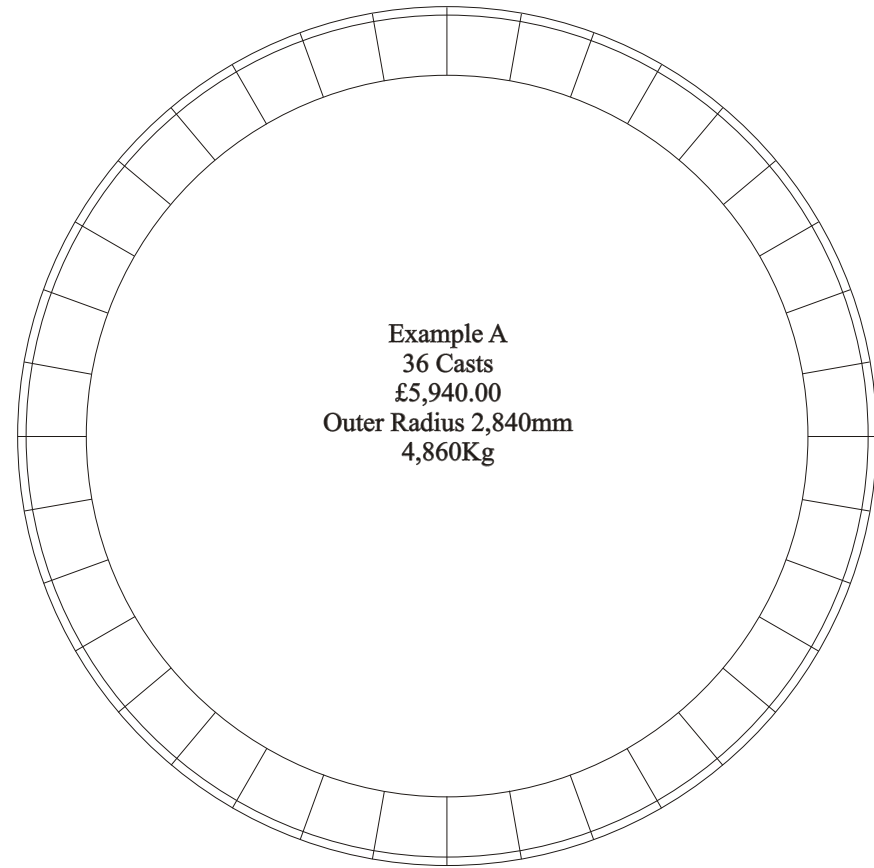
Notes: Excluding VAT & delivery. Valid to 01/04/08

Kensington Pool Surround C030.

Cross sections. Scale 1:5



Plan. Scale 1:50



Notes: (a) Not included
(b) Excluding VAT & delivery. Valid to 01/04/08